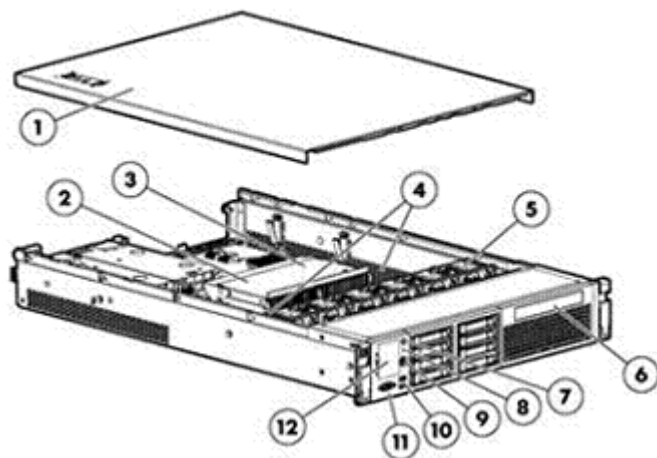


QuickSpecs

HP ProLiant DL380 Generation 7 (G7)

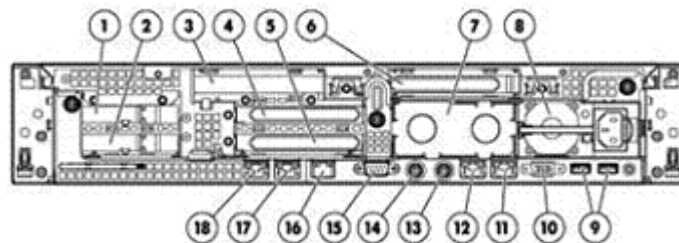
Overview

The HP ProLiant DL380 G7 Server continues to deliver on its heritage of engineering excellence with increased flexibility and performance, enterprise-class uptime and HP Insight Control manageability, 2 socket Intel® Xeon® performance, and 2U density for a variety of applications.



Front View:

1. Quick removal access panel
2. First Intel Processor
3. Second Intel Processor
4. Eighteen slots: DDR3 Registered (RDIMM) or Unbuffered (UDIMM) memory
5. Hot-plug fans, full N+1 redundancy
6. Slim Optical Bay (SATA DVD-RW Optical Drive included on Performance models)
7. UID LED button
8. Health LED
9. Power On/Standby button and system power LED
10. USB connectors (2)
11. Video connector
12. Systems Insight Display



Rear View:

1. PCI slot 5
2. PCI slot 6
3. PCI slot 4
4. PCI slot 2
5. PCI slot 3
6. PCI slot 1
7. Power supply 2
8. Power supply 1
9. USB connectors (2)
10. Video connector
11. NIC 1 connector
12. NIC 2 connector
13. Mouse connector
14. Keyboard connector
15. Serial connector
16. iLO 3 NIC connector
17. NIC 3 connector
18. NIC 4 connector

What's New

- Support for new HP hard drives, UPS

Standard Features

NOTE: For the Standard Features shipped in the "Factory Integrated Models", please see the "Configuration Information - Factory Integrated Models" section.

Processor

One of the following depending on Model

Six-Core Processors

Intel® Xeon® X5690 (3.46GHz/6-core/12MB/130W), DDR3-1333, HT, Turbo 1/1/1/1/2/2) Processor

Intel® Xeon® X5680 (3.33GHz/6-core/12MB/130W, DDR3-1333, HT, Turbo 1/1/1/1/2/2) Processor

Intel® Xeon® X5675 (3.06GHz/6-core/12MB/95W, DDR3-1333, HT, Turbo 2/2/2/2/3/3) Processor

Intel® Xeon® X5670 (2.93GHz/6-core/12MB/95W, DDR3-1333, HT, Turbo 2/2/2/2/3/3) Processor

Intel® Xeon® X5660 (2.80GHz/6-core/12MB/95W, DDR3-1333, HT, Turbo 2/2/2/2/3/3) Processor

Intel® Xeon® X5650 (2.66GHz/6-core/12MB/95W, DDR3-1333, HT, Turbo 2/2/2/2/3/3) Processor

Intel® Xeon® E5649 (2.53GHz/6-core/12MB/80W, DDR3-1333, HT, Turbo 1/1/1/1/2/2) Processor

Intel® Xeon® E5645 (2.40GHz/6-core/12MB/80W, DDR3-1333, HT, Turbo 1/1/1/1/2/3) Processor

Intel® Xeon® L5640 (2.26GHz/6-core/12MB/60W, DDR3-1333, HT, Turbo 2/2/3/3/4/4) Processor

Quad-Core Processors

Intel® Xeon® X5687 (3.60GHz/4-core/12MB/130W, DDR3-1333, HT, Turbo 1/1/2/2) Processor

Intel® Xeon® X5672 (3.20GHz/4-core/12MB/95W, DDR3-1333, HT, Turbo 1/1/2/2) Processor

Intel® Xeon® E5640 (2.66GHz/4-core/12MB/80W, DDR3-1066, HT, Turbo 1/1/2/2) Processor

Intel® Xeon® E5630 (2.53GHz/4-core/12MB/80W, DDR3-1066, HT, Turbo 1/1/2/2) Processor

Intel® Xeon® E5620 (2.40GHz/4-core/12MB/80W, DDR3-1066, HT, Turbo 1/1/2/2) Processor

Intel® Xeon® E5606 (2.13GHz/4-core/8MB/80W, DDR3-1066) Processor

Intel® Xeon® E5506 (2.13 GHz/4-core/4MB/80W, DDR3-800) Processor

Intel® Xeon® E5603 (1.60GHz/4-core/4MB/80W, DDR3-1066) Processor

Intel® Xeon® L5630 (2.13GHz/4-core/12MB/40W, DDR3-1066, HT, Turbo 1/1/2/2) Processor

NOTE: HT indicates that the processor model supports Intel® Hyper-Threading Technology.

NOTE: Turbo indicates the maximum potential frequency increment when using Intel® Turbo Boost Technology, with 6, 5, 4, 3, 2, and 1 cores active.

NOTE: DDR3 speed is the maximum memory speed of the processor. Actual memory speed may depend on the quantity and type of DIMMs installed.

NOTE: For the Intel 5000, and 5600Series, the letter preceding the model number indicates the performance/wattage of the processor. "X" denotes High Performance/Wattage; "E" denotes Enterprise Performance/Wattage (Mainstream); and "L" denotes Lower Wattage.

NOTE: Up to 2 processors supported. Performance configurations include two processors. Mixing different processor models is not supported.

Cache Memory

One of the following depending on Model

Up to 12MB (1x12MB) Level 3 cache for all 5600 series processors

Up to 8MB (1 x 8MB) Level 3 cache for all 5500 series processors

Chipset

Intel® 5520 Chipset

NOTE: For more information regarding Intel chipsets, please see the following URL:
<http://www.intel.com/products/server/chipsets/>.

QuickSpecs

HP ProLiant DL380 Generation 7 (G7)

Standard Features

Upgradeability Upgradeable to 2 processors (12 cores)

Memory Protection Advanced ECC (multi-bit error protection)
Mirroring mode
Online Spare supported on 5600 Series
Lockstep mode

Memory

| | |
|-------------------------------|---|
| Type | DDR3 Registered (RDIMM) and Unbuffered (UDIMM) |
| Standard (Performance Models) | 12GB (6 x 2GB) PC3-10600R (DDR3-1333) Registered DIMMs |
| Standard (Base Models) | 6GB (3 x 2GB) PC3-10600R (DDR3-1333) Registered DIMMs |
| Standard (Entry Models) | 4GB (2 x 2GB) PC3-10600R (DDR3-1333) Registered DIMMs |
| Standard (Efficiency Models) | 4GB (2 x 2GB) PC3-10600E (DDR3-1333) Unbuffered DIMMs |
| Maximum (RDIMM) | 384GB (12 x 32GB) for Registered Memory configurations NOTE: Using PC3-8500R DDR3 Registered (RDIMM) memory, operating at 800MHz when fully populated at 2 DIMMs per Channel in 12 slots. |
| Maximum (UDIMM) | 48GB (12 x 2GB) for Unbuffered Memory configurations NOTE: Using PC3-10600E DDR3 Unbuffered (UDIMM) memory, operating at 1066MHz when fully populated at 2 DIMMs per Channel in 12 slots. |

NOTE: If only one processor is installed, only half the DIMM slots are available
NOTE: If only one processor is installed, only half the DIMM slots are available.
NOTE: when populating with the 16GB Memory Kits (Quad-Rank), only 12 DIMMs can be populated.
NOTE: For G6 and G7 servers using Xeon 5600 series processors, the default memory speed is 1333MHz with either one or two DIMMs per channel. For G6 and G7 servers using Xeon 5500 series processors, an RBSU option is available to disable 1333MHz operation (which will result in 1067MHz operation).
NOTE: UDIMM support is only on 12-slot servers.
NOTE: Depending on the memory configuration and processor model, the memory speed may run at 1333MHz, 1066MHz, or 800MHz. Please see the Online Memory Configuration Tool at: www.hp.com/go/ddr3memory-configurator.

Network Controller Two HP NC382i Dual Port Multifunction Gigabit Server Adapters (four ports total) with TCP/IP Offload Engine, including support for Accelerated iSCSI

Expansion Slots

NOTE: The system board has 2 PCI connectors, but the below riser cards have the actual PCI slots, to which PCI cards attach. Up to six available PCI-Express Gen2 slots, optional mixed PCI-X / PCI-Express or x16 PCI configurations available (see "Standard Features -Expansion Slots" section for more details).

| Primary Riser (Standard) | Expansion Slots # | Technology | Bus Width** | Connector Width | Bus Number* | Form Factor | Notes |
|--------------------------|-------------------|------------|-------------|-----------------|-------------|-------------------------------|-------|
| | 1 | PCIe Gen2 | X8 | X16 | 7 | Full Length, Full Height Slot | |



QuickSpecs

HP ProLiant DL380 Generation 7 (G7)

Standard Features

| | | | | | |
|---|-----------|----|----|----|-------------------------------------|
| 2 | PCIe Gen2 | X4 | X8 | 10 | Half Length, Full Height Slot |
| 3 | PCIe Gen2 | X4 | X8 | 13 | Half Length, Full Height Slot |

* Default bus assignment (in decimal). Inserting cards with PCI bridges may alter the actual bus assignment number

** Indicates the number of physical electrical lanes running to the connector.

PCIe Riser (Optional Secondary)

| Expansion Slots # | Technology | Bus Width** | Connector Width | Bus Number* | Form Factor | Notes |
|-------------------|------------|-------------|-----------------|-------------|-------------------------------------|-------|
| 4 | PCIe Gen2 | X8 | X16 | 16 | Full length, full height slot | |
| 5 | PCIe Gen2 | X4 | X8 | 20 | Half length, half height slot | |
| 6 | PCIe Gen2 | X4 | X8 | 23 | Half length, half height slot | |

* Default bus assignment (in decimal). Inserting cards with PCI bridges may alter the actual bus assignment number

** Indicates the number of physical electrical lanes running to the connector.

PCIe/PCI-X Riser (Optional Primary)

| Expansion Slots # | Technology | Bus Width** | Connector Width | Bus Number* | Form Factor | Notes |
|-------------------|-------------------|-------------|-----------------|-------------|-----------------------------|-------|
| 1 | PCI-X (133MHz) | 64-bit | N/A | 7 | Full length, Full Height | |
| 2 | PCI-E Gen2 | X8 | X16 | 11 | Half Length, Full Height | |
| 3 | PCI-E Gen2 | X4 | X8 | 15 | Half Length, Full Height | |

NOTE: PCI-X support is limited to PCI-X cards only.

*Default bus assignment (in decimal). Inserting cards with PCI bridges may alter the actual bus assignment number

** Indicates the number of physical electrical lanes running to the connector.

PCIe/PCI-X Riser (Optional Secondary)

| Expansion Slots # | Technology | Bus Width** | Connector Width | Bus Number* | Form Factor | Notes |
|-------------------|-------------------|-------------|-----------------|-------------|-------------------------------------|-------|
| 4 | PCI-X (133MHz) | 64-bit | Not applicable | 19 | Full length, Full height slot | |
| 5 | PCI-E Gen2 | X8 | X16 | 23 | Half Length, Half Height | |

QuickSpecs

HP ProLiant DL380 Generation 7 (G7)

Standard Features

6 PCI-E Gen2 X4 X8 27 Half Length,
Half Height

NOTE: Only PCI-X support is available in slot 4, supporting PCI-X cards. PCI legacy cards are not supported.

*Default bus assignment (in decimal). Inserting cards with PCI bridges may alter the actual bus assignment number

** Indicates the number of physical electrical lanes running to the connector.

x16 PCIe Riser (Optional Primary)

| Expansion Slots # | Technology | Bus Width** | Connector Width | Bus Number* | Form Factor | Notes |
|-------------------|------------|-------------|-----------------|-------------|-------------------------------|---|
| 1 | PCIe Gen2 | x16 | x16 | 13 | Full Length, Full Height slot | Supports up to 150W; single wide cards only |

* Default bus assignment (in decimal). Inserting cards with PCI bridges may alter the actual bus assignment number

** Indicates the number of physical electrical lanes running to the connector.

x16 PCIe Riser (Optional Secondary)

| Expansion Slots # | Technology | Bus Width** | Connector Width | Bus Number* | Form Factor | Notes |
|-------------------|------------|-------------|-----------------|-------------|-------------------------------|---|
| 4 | PCIe Gen2 | x16 | x16 | 16 | Full Length, Full Height slot | Supports up to 150W; single wide cards only |

* Default bus assignment (in decimal). Inserting cards with PCI bridges may alter the actual bus assignment number

** Indicates the number of physical electrical lanes running to the connector.

Storage Controller One of the following depending on Model

| | |
|--|--|
| Entry Models | HP Smart Array P410i/Zero Memory Controller (RAID 0/1/1+0) |
| Base Models | HP Smart Array P410i/256 MB Controller (RAID 0/1/1+0/5/5+0) |
| Performance Models | HP Smart Array P410i/1G FBWC Controller (RAID 0/1/1+0/5/5+0) |
| Available upgrades: 1G FBWC, 512MB FBWC, 256MB, 512MB with BBWC, Battery kit upgrade (for the 256MB cache), and Smart Array Advanced Pack (SAAP) | |

QuickSpecs

HP ProLiant DL380 Generation 7 (G7)

Standard Features

| | | |
|---------------------------------|---|--|
| Internal Storage Devices | Diskette Drive | None Standard |
| | Optical Drive | None Standard on Entry, High Efficiency, and Base Models |
| | One of the following depending on Model | NOTE: No support on LFF HD Models, or when upgrading to optional 8 SFF HD. HP Slim SATA DVD RW Optical Drive Standard on Performance Models |
| | | NOTE: The Optical Drive option is not available when you upgrade with the additional 8 SFF drive cage, or in the LFF Models |
| | Hard Drives | None Standard |
| | Hard Drive Bays | Standard (8) small form factor (SFF) hot-plug drive bays to support Serial-attached SCSI (SAS) and Serial ATA (SATA) drives Optional second drive cage for additional (8) SFF drive bays (total 16) Optional cage for (6) Large Form Factor SAS/SATA hard drive bays |

| | | | |
|---------------------------------|-----------------------|--------|---|
| Maximum Internal Storage | Hot Plug SFF SAS | 19.2TB | 16 x 1.2TB (with optional SFF drive cage) |
| | Hot Plug LFF SATA | 24.0TB | 6 x 4TB (with optional LFF drive cage) |
| | Hot Plug SFF SAS SSD | 12.8TB | 16 x 800GB (with optional SFF drive cage) |
| | Hot Plug SFF SATA SSD | 6.4TB | 16 x 400GB (with optional SFF drive cage) |
| | Hot Plug LFF SATA SSD | 6.4TB | 16 x 400GB (with optional SFF drive cage) |

| | | |
|-------------------|-------------------------------|--------------------------------------|
| Interfaces | Serial | 1 |
| | Video | 2 (1 front, 1 back) |
| | Network RJ-45 | 4 |
| | HP iLO Remote Management Port | 1 |
| | Keyboard | 1 |
| | Pointing Device (Mouse) | 1 |
| | Graphics | 1 |
| | SD slot | 1 |
| | USB 2.0 Ports | 5 total: 2 front, 2 back, 1 internal |

| | |
|-------------------------------------|--------------------------------|
| Industry Standard Compliance | ACPI 2.0 Compliant |
| | PCI 2.2 Compliant |
| | WOL Support |
| | Microsoft® Logo certifications |
| | USB 2.0 Support |

Standard Features

Server Power Cords

High voltage power cord ships standard with all part numbers.

NOTE: HP ProLiant DL servers no longer ship standard with a 12-foot NEMA 5-15P to C13 power cords that allow connection to 110V US wall outlets in a home or office. ProLiant DL servers are primarily connected to PDU's in data center racks so they now ship standard with only a PDU 6-foot C-14 to C13 power cord (142258-001). If a user wishes to power a ProLiant DL server using a 110V receptacle (NEMA-15), the 12-foot NEMA 5-15 to C13 power cord must be ordered separately. Also available: 110 volt 6-Foot NEMA 5-15p to C13 (AF556A).

Common Slot Power Supply

Common Slot (CS) designates commonality of the power supply across multiple ProLiant servers. HP's new Common Slot power supplies are designed to provide the highest power supply efficiency without degrading the performance of a ProLiant. CS Power Supplies have efficiency ratings of up to 94% and are available in three power output options allowing the customer to "right-size" a power supply for their specific server configuration. To make sure you select the correct power supply to meet your configuration needs, we suggest that you use the HP Power Advisor to decide the "Right-Size" for your configuration. All HP Common Slot power sources are UL, CE Mark Compliant, hot-plug and support redundant configurations.

NOTE: Mixing of power supplies in the same server is not supported. All power supplies must be of the same output and efficiency rating. If non-matched power supplies are inserted you will get errors and operation will fail.

It is highly recommended that you use the HP Power Advisor in defining the "Right-Size" power supply for your needs. HP Power Advisor can be accessed at: www.hp.com/go/hppoweradvisor.

NOTE: The 80 PLUS program is a unique forum that unites electric utilities, the computer industry, and consumers in an effort to bring energy efficient technology solutions to the marketplace. 80 Plus independently tests power supply efficiency and publicly posts the results on 80Plus.org.

Redundant Power: Optional (1+ 1 or n+n redundant) power supplies can be purchased through power supply option kits (see Power Supplies for part numbers).

System Fans

Fully redundant hot plug fans ship standard (N+1).

NOTE: One processor models include four fans. Two processor models include six fans.

Required Cabling

For required cabling information, refer to the HP Web site at: www.hp.com/servers/dl380.

Standard Features

Operating Systems and Virtualization Software Support for ProLiant Servers

[Microsoft Windows Server](#)
[Red Hat Enterprise Linux \(RHEL\)](#)
[SUSE Linux Enterprise Server \(SLES\)](#)
[Oracle Solaris](#)
[VMware](#)
[Citrix XenServer](#)

NOTE: For more information on HP's Certified and Supported ProLiant Servers for OS and Virtualization Software and latest listing of software drivers available for your server, please visit our Support Matrix at: <http://www.hp.com/go/ossupport>

Graphics

Integrated ATI ES1000, 64MB video standard

- 16 bit color: maximum resolution of 1600 x 1200
- 32 bit color: maximum resolution of 1280 x 1024

NOTE: Maximum resolution available via iLO 3 remote console for ProLiant is 1280 x 1024 (for 32 bit color) and 1600 x 1200 (DVR max resolution).

Form Factor

Rack (2U)
 Height 3.38-inch (8.59 cm); Width: 17.25 (44.54 cm); Depth: 27.25 inches (69.98 cm)

HP Insight management

HP Service Pack for ProLiant

HP Service Pack for ProLiant (SPP) and HP Smart Update Manager (HP SUM) version 5 provide a new, comprehensive approach to firmware and system software maintenance. Together they provide better operating stability and ensure maximum uptime. The SPP will be updated at a predictable cadence, typically coinciding with new HP server hardware launches. By enabling firmware to be updated online and integrating firmware and system software updates in one operation HP SUM and the SPP offer faster updates of individual servers and dramatically faster updates of entire BladeSystem enclosures. Further improving system uptime and stability is the fact that HP provides 12 months of support on each Service Pack for ProLiant.

The user experience around HP SUM and the SPP has been improved in several ways, starting with the web download. A single web page provides access to a single download containing both the latest version of HP SUM version 5 and the latest SPP. Optional smaller subsets with only specific types of servers or specific operating systems are offered to save on download time. The HP SUM application has been re-written to provide a more straightforward, intuitive user interface that guides the user through the steps of discovery, analyses and update, providing comprehensive information on available updates, criticality and interdependencies. This information is also available in reports. By providing the option of multiple local or shared repositories which can be easily updated from hp.com, HP SUM provides the tools to optimize stability and consistency throughout the company. While HP SUM and the SPP will recommend the combinations of firmware and system software that HP has found to be the best practice, the application gives customers the flexibility to set their own specific baseline.

Standard Features

The Service Pack for ProLiant has been rigorously tested with specific attention for interaction between firmware, drivers and agents both within the server as well as in interaction with the BladeSystem enclosure components (Onboard Administrator and Virtual Connect). This testing ensures the highest quality as well as providing the input for HP SUM to deploy updates taking into account all interdependencies, when determining the correct updates and order of update deployment.

The Service Pack for ProLiant (which includes HP SUM 5) can be downloaded from: www.hp.com/go/spp/download. More information can be found: <http://www.hp.com/go/spp> and <http://www.hp.com/go/hpsum>

HP Insight Foundation

Insight Foundation is being baselined at version v8.70 which means the following:

- Its Media Kit (contains 2 SmartStart CDs, the Firmware DVD, and the Management DVD) will continue to ship with all supported ProLiant G7 or earlier BTO servers until the last supported server is no longer shipping.
- The Media Kit will not be updated past version 8.70.
- ProLiant G7 or earlier CTO servers are able to order the Media Kit with the understanding that the media is not updated. Please check specific server QuickSpecs for availability of CTO Kit.
- PSP and Firmware DVD downloads will be updated through 2Q 2012 at the HP Insight Foundation Suite for ProLiant downloads tab: <http://www.hp.com/go/foundation>

Customers are urged to use the replacement product, HP Service Pack for ProLiant, instead of Insight Foundation Suite which is found at these location: www.hp.com/go/spp
www.hp.com/go/spp/download

HP Integrated Lights-Out (iLO) for ProLiant

HP Integrated Lights-Out (iLO) simplifies server setup, health monitoring, power and thermal control, and lights-out remote administration of ProLiant ML, DL, and BL servers. HP iLO functions without additional software and can be accessed from any location via a web browser. HP iLO works hand-in-hand with HP Systems Insight Manager, Insight Control, and Insight Dynamics for ProLiant, helping customers unleash the value of the ProLiant platform and deliver the highest possible quality of IT service. For more information, visit: www.hp.com/go/iLO

HP Insight Online

HP Insight Online is a new capability available through the HP Support Center portal for one stop, secure access to product and HP support information specific to your IT environment. Insight Online can automatically display devices remotely monitored by HP Insight Remote Support. With Insight Online's easy navigation you can efficiently track your IT support contracts and device status from anywhere and at anytime. www.hp.com/go/insightonline

QuickSpecs

HP ProLiant DL380 Generation 7 (G7)

Standard Features

HP Proactive Insight experience

Prevent problems with innovative, automated monitoring tools and proactive services. The HP Proactive Insight experience consist of using Insight Online, Insight Remote Support, and Proactive Care Support Service as one integrated solution. The Proactive Insight experience provides you with expert advice and personalized, cloud-based automated IT support, helping to prevent unplanned down time and solve problems quickly. For more information, visit: www.hp.com/go/proactiveinsightexperience

Security

Power-on password
Keyboard password
QuickLock, Network Server Mode
Serial interface control
Administrator's password

Warranty

This product is covered by a global limited warranty and supported by HP Services and a worldwide network of HP Authorized Channel Partners resellers. Hardware diagnostic support and repair is available for three years from date of purchase. Support for software and initial setup is available for 90 days from date of purchase. Enhancements to warranty services are available through HP Care Pack services or customized service agreements. Hard drives have either a one year or three year warranty; refer to the specific hard drive QuickSpecs for details.

NOTE: Server Warranty includes 3-Year Parts, 3-Year Labor, 3-Year Onsite support with next business day response. Warranty repairs may be accomplished through the use of Customer Self Repair (CSR) parts. These parts fall into two categories: 1) Mandatory CSR parts are designed for easy replacement. A travel and labor charge will result when customers decline to replace a Mandatory CSR part; 2) Optional CSR parts are also designed for easy replacement but may involve added complexity. Customers may choose to have HP replace Optional CSR parts at no charge. Additional information regarding worldwide limited warranty and technical support is available at: <http://h18004.www1.hp.com/products/servers/platforms/warranty/index.html>

Optional Features

| | | |
|------------------------------|----------------------------------|--|
| HP Insight management | HP Insight Control | <p>HP Insight Control, a product option, delivers essential infrastructure management that can help save time and money by making it easy to deploy, migrate, monitor, remote control, and optimize your IT infrastructure through a single, simple management console. For more information, see http://www.hp.com/go/insightcontrol.</p> <p>HP Insight Control includes one year of 24 x 7 HP Software Technical Support and Update Service ensuring rapid access to HP support staff and proactive delivery of software updates. For more information about this service, see: http://www.hp.com/services/insight.</p> |
| | HP iLO Advanced | <p>HP Integrated Lights-Out Advanced License a product option, providing smart remote server management without compromise. iLO Advanced unlocks the full set of remote administration functionality for all HP ProLiant servers. iLO Advanced activates the full Virtual Keyboard Video and Mouse remote console, multi-user collaboration, console record and replay, GUI-based and scripted virtual media and virtual folders, and enhanced security and power management functionality. For more information, see, http://www.hp.com/go/iloadvance</p> |
| | HP Insight Dynamics for ProLiant | <p>HP Insight Dynamics for ProLiant, a product option, is advanced infrastructure management software that enables IT staff to instantly adjust their environments to meet dynamic business demands by provisioning, optimizing and protecting complex infrastructure in minutes. It's a powerful toolkit, integrated-by-design, that accelerates complex technology projects and simplifies daily operations, transforming data center economics. With Insight Dynamics IT professionals can plan capacity and power continuously, balance workloads across physical and virtual resources, and ensure cost-effective high availability. It also enables IT organizations to provision infrastructure consistently and automatically from pools of shared resources using a self-service portal. Resources provisioned can range from a single virtual machine to complex multi-tier environments and their associated physical and virtual resource requirements. In addition to the previous functional benefits, it also provides a cost-effective disaster recovery for physical and virtual environments that works with HP Continuous Access software for both the Enterprise Virtual Array and the XP storage array allowing application environments to be reactivated in minutes with the touch of a button to a remote location.</p> <p>NOTE: For more information, visit: http://www.hp.com/go/insightdynamics</p> |

High Performance Clusters

HP Cluster Platforms

HP Cluster Platforms are specifically engineered, factory-integrated large-scale ProLiant clusters optimized for High Performance Computing, with a choice of servers, networks and software. Operating system options include specially priced offerings for Red Hat Enterprise Linux and SUSE Linux Enterprise Server, as well as Microsoft Windows HPC Server. A Cluster Platform Configurator simplifies ordering. <http://www.hp.com/go/clusters>

Optional Features

| | |
|-------------------------------|---|
| HP HPC Interconnects | High Performance Computing (HPC) interconnect technologies are available for this server as part of the HP Cluster Platform portfolio. These high-speed InfiniBand and Gigabit interconnects are fully supported by HP when integrated within an HP cluster. Flexible, validated solutions can be defined with the help of configuration tools. http://www.hp.com/techservers/clusters/ucp/index.html |
| HP Cluster Management Utility | HP Cluster Management Utility (CMU) is an HP-licensed and HP-supported suite of tools that are used to manage large-scale Linux ProLiant systems. CMU includes software for the centralized provisioning, management and monitoring of nodes. CMU makes the administration of clusters user friendly, efficient, and effective. http://www.hp.com/go/cmu |
| HP HPC Linux Value Pack | HP HPC Linux Value Pack (Value Pack) is an HP-licensed and HP-supported specially priced software bundle for the development and deployment of applications on HPC Cluster Platforms. Value Pack includes the Platform HPC Enterprise Edition suite of tools including the LSF workload scheduler, the HP-MPI parallelization library. Also included are the HP Unified Parallel C compiler and the HP Shmem library, as well as the execution environments for the libraries and compiler. HP HPC Linux Value Pack |

Storage Software

Whether you need to solve a specific data protection, archiving, or storage command and control challenge, or deliver on strategic consolidation, compliance, or continuity initiatives, look no further than HP storage software. Our storage software helps you reduce costs, simplify storage infrastructure, protect vital assets and respond faster to business opportunities.

Storage software that gets the job done:

- Data Protection and Recovery Software**
 Whether you're a large enterprise or a smaller business, HP data protection and recovery software will cost-effectively protect you against disaster and ensure business continuity.
- Data Archive and Migration Software**
 HP's storage software enables you to comply with data retention and retrieval requirements, improve application performance, and reduce costs by efficiently migrating infrequently accessed or less valuable data to lower cost storage.
- Storage Resource Management Software (SRM)**
 HP's storage resource management software reduces operational costs and provides the command and control foundation you need to efficiently manage and visualize your physical and virtual environments.
- Data Replication Software**
 HP offers array-based and host-based replication software for use in disaster recovery, testing, application development and reporting.
- Storage Device Management Software**
 Maximize your investment in HP storage and networking with software that enables hardware-specific configuration, performance tuning and connectivity management.
- HP StoreVirtual VSA**
 With HP StoreVirtual VSA you can use the power of virtualization to turn a set of heterogeneous and disconnected physical disk drives in your servers and storage devices into a single pool of logical storage capacity.

NOTE: For more information available Storage Software including QuickSpecs, please see:

Optional Features

www.hp.com/go/storage/software.

Factory Express Portfolio for Servers and Storage HP Factory Express offers configuration, customization, integration and deployment services for HP servers and storage products. Customers can choose how their factory solutions are built, tested, integrated, shipped and deployed.

Factory Express offers service packages for simple configuration, racking, installation, complex configuration and design services as well as individual factory services, such as image loading, asset tagging, and custom packaging. HP products supported through Factory Express include a wide array of servers and storage: HP Integrity, HP ProLiant, HP ProLiant Server Blades, HP BladeSystem, HP 9000 servers as well as the MSAxxxx, EVA7xxx, EVA, XP, rackable tape libraries and configurable network switches.

For more information on Factory Express services for your specific server model please contact your sales representative or go to: <http://www.hp.com/go/factory-express>.

HP Simple Configurator SCE is a guided self service tool to help sales and non technical people provide customers with initial configurations in 3 to 5 minutes. You may then send the configuration on for configuration help, or use in your existing ordering processes. If you require "custom" rack configuration or configuration for products not available in SCE, please contact HP's Customer Business Center or an Authorized Partner for assistance. <http://www.hp.com/products/configurator>

Service and Support

Service and Support**HP Technology Services for Industry Standard Servers and BladeSystem**

Capitalizing on HP ProLiant server and HP BladeSystem capabilities requires a service partner who understands your increasingly complex business technology environment. That's why it makes sense to team up with the people who know HP infrastructure hardware and software best - the experienced professionals at HP Services.

What HP ProLiant and BladeSystem Services can do for you

HP ProLiant and BladeSystem Services can help you design, deploy, test, integrate, support, and manage IT and infrastructure solutions. This way, HP proposes services solutions that include more than just uplift of base warranty. You can get the support you need by choosing from one of a number of service packaged solutions we have designed to address wider set of customer support needs:

HP Technology Services meets business challenges with services offered in three packages - **Optimized Care Package, Standard Care Package, and Basic Care Package** - available for each product group. Such packaged solutions enable customers to optimize technology operations, minimize risk and drive better business outcomes with easy-to-buy, easy-to-use scalable support packages for servers, storage, networking and software.

Optimized Care**Optimized Care Package: Supports maintaining servers at optimum performance availability****HP ProLiant Server Hardware Installation**

Provides for the basic hardware installation of HP branded servers, storage devices and networking options to assist you in bringing your new hardware into operation in a timely and professional manner <http://h20195.www2.hp.com/V2/GetPDF.aspx/5981-9356EN>

HP Installation and Startup for Insight Control Software

Provides for the deployment and basic configuration of HP Insight Control on HP ProLiant ML and DL series servers or HP BladeSystem servers <http://h20195.www2.hp.com/v2/GetPDF.aspx/4AA0-9972ENW.pdf>

3-Year HP Critical Advantage

Provides end-to-end infrastructure support solution for business critical applications running on virtualized/x86 infrastructures, enabling the customers to cost effectively build, operate, and continuously improve their IT environment <http://h20195.www2.hp.com/V2/GetDocument.aspx?docname=4AA3-1772ENW>

Additional Services: Microsoft or Linux or VMware education courses + Facility & technology environmental assessment services + Energy Efficiency Design, Factory Express

Service and Support

Standard Care**Standard Care Package: Package that maintains high level of server availability****HP ProLiant Server Hardware Installation**

Provides for the basic hardware installation of HP branded servers, storage devices and networking options to assist you in bringing your new hardware into operation in a timely and professional manner
<http://h20195.www2.hp.com/V2/GetPDF.aspx/5981-9356EN>

HP Installation and Startup for Insight Control Software

Provides for the deployment and basic configuration of HP Insight Control on HP ProLiant ML and DL series servers or HP BladeSystem servers <http://h20195.www2.hp.com/v2/GetPDF.aspx/4AA0-9972ENW.pdf>

3-Year HP 6 hour Hardware Support Onsite Call-to-Repair Service

Provides an IT manager with a team of support specialists who will quickly begin troubleshooting the system to help return the hardware to operating condition within 6 hours of the initial service request to the HP Global Solution Center
<http://h20195.www2.hp.com/V2/GetPDF.aspx/5982-6547EN.pdf>

3-Year , HP 24x7 Software Support for Insight Control

Provides for the deployment and basic configuration of HP Insight Control on HP ProLiant ML and DL series servers or HP BladeSystem servers
<http://h20195.www2.hp.com/V2/GetPDF.aspx/5981-6645EEE.pdf>

Additional Services: Software OS (Microsoft, Linux (SUSE/Red Hat) & VMware Installation & Start Up, and Software Support; Install and Startup Services for Insight Control; Microsoft or Linux or VMware education courses; +30 Proactive Select Credits, Factory Express

Basic Care**Basic Care Package: delivers minimum recommended support service level****HP ProLiant Server Hardware Installation**

Provides for the basic hardware installation of HP branded servers, storage devices and networking options to assist you in bringing your new hardware into operation in a timely and professional manner
<http://h20195.www2.hp.com/V2/GetPDF.aspx/5981-9356EN>

3-Year HP 24x7 4 hour Response, Hardware Support Onsite Service

Provides for the deployment and basic configuration of HP Insight Control on HP ProLiant ML and DL series servers or HP BladeSystem servers
<http://h20195.www2.hp.com/v2/GetPDF.aspx/4AA0-9972ENW.pdf>

Additional Services: Software OS (Microsoft, Linux (SUSE/Red Hat) & VMware Installation & Start Up and Software Support); +10 Proactive Select Credits, Factory Express

Insight Remote Support

The packages include HP Insight Remote Support that uses proven technology to deliver secure, reliable 24x7 remote monitoring, diagnoses, and problem resolution. It is available at no additional cost to all warranty, HP Care Pack Service, and service agreement customers.

For more information

To learn more on HP ProLiant servers and HP BladeSystem servers, please contact your HP sales representative or HP Authorized Channel Partner. Or visit: <http://www.hp.com/services/proliant>



Pre-configured Models

NOTE: For the Standard Features shipped in the "Factory Integrated Models", please see the "Configuration Information - Factory Integrated Models" section.

NOTE: Pre-configured models ship with the configurations below. Options can be selected from the Core or Additional options section of this QuickSpecs.

NOTE: HP does not allow factory integration of options into pre-configured models. Any additional options purchased will be shipped separately.

NOTE: If you desire a custom configuration please see "Configuration Information - Factory Integrated Models" section of this QuickSpecs.

NOTE: Not all models are available in all regions. Check with your local country HP offices for availability.

Performance Models

| | | |
|--|--|--|
| Six-Core Models HP ProLiant DL380 G7 X5690 2P 12GB-R P410i/1GB 8 SFF 750W RPS Svr 633404-xx1 | Processor(s) Two of the following depending on Model | (2) Intel® Xeon® X5690 (3.46GHz/6-core/12MB/130W), DDR3-1333, HT, Turbo 1/1/1/1/2/2) Processors (2) Intel® Xeon® X5660 (2.80GHz/6-core/12MB/95W, DDR3-1333, HT, Turbo 2/2/2/2/3/3) Processors (2) Intel® Xeon® X5650 (2.66GHz/6-core/12MB/95W, DDR3-1333, HT, Turbo 2/2/2/2/3/3) Processors |
| HP ProLiant DL380 G7 X5660 2P 12GB-R P410i/1GB FBWC 8 SFF 750W RPS Perf IC Svr 583970-xx1 | Cache Memory Memory | 12MB (1 x 12MB) Level 3 cache 12 GB (6 x 2 GB) PC3-10600R (DDR3-1333) Registered DIMMs NOTE: Total of 18 DIMM slots. |
| HP ProLiant DL380 G7 X5650 2P 12GB-R P410i/1GB FBWC 8 SFF 750W RPS Perf IC Svr 583966-xx1 | Network Controller Storage Controller Hard Drive Internal Storage | Two HP NC382i Dual Port Multifunction Gigabit Server Adapters HP Smart Array P410i/1GB with FBWC None ship standard Standard: 8 SFF SAS/SATA HDD Bays Optional: 16 SFF SAS/SATA HDD Bays |
| | Optical Drive Power Supply Fans | HP Slim SATA DVD RW drive (2) 750W Hot Plug Power Supplies (6) (N+1 redundancy standard) |
| | Insight Control Form Factor | HP Insight Control No Media single server license, including 1 year of 24x7 Technical Support and Updates Rack (2U), Height 3.38-inch (8.59 cm); Width: 17.25 (44.54 cm); Depth: 27.25 inches (69.98 cm) |
| | Warranty | Server Warranty includes 3-Year Parts, 3-Year Labor, 3-Year Onsite support with next business day response. |

QuickSpecs

HP ProLiant DL380 Generation 7 (G7)

Pre-configured Models

Base Models

| | | |
|---|---|--|
| Six -Core Models HP ProLiant DL380 G7 E5649 1P 6GB-R P410i/256 8 SFF 460W PS Svr 633405-xx1 | Processor(s) One of the following depending on Model | (1) Intel® Xeon® E5649 (2.53GHz/6-core/12MB/80W, DDR3-1333, HT, Turbo 1/1/1/1/2/2) Processor (1) Intel® Xeon® E5645 (2.40GHz/6-core/12MB/80W, DDR3-1333, HT, Turbo 1/1/1/1/2/3) Processor |
| | Cache Memory | 12MB (1 x 12MB) Level 3 cache |
| | Memory | 6 GB (3 x 2 GB) PC3-10600R (DDR3-1333) Registered DIMMs NOTE: Total of 18 DIMM slots. |
| HP ProLiant DL380 G7 E5645 1P 6GB-R P410i/256 8 SFF 460W PS Server 633407-xx1 | Network Controller | Two HP NC382i Dual Port Multifunction Gigabit Server Adapters |
| | Storage Controller | HP Smart Array P410i/256MB Controller |
| | Hard Drive | None ship standard |
| | Internal Storage | Standard: 8 SFF SAS/SATA HDD Bays Optional: 16 SFF SAS/SATA HDD Bays |
| | Optical Drive | None ship standard |
| | Power Supply | (1) 460W Hot Plug Power Supply |
| | Fans | (4) (N+1 redundancy standard) |
| | Form Factor | Rack (2U), Height 3.38-inch (8.59 cm); Width: 17.25 (44.54 cm); Depth: 27.25 inches (69.98 cm) |
| | Warranty | Server Warranty includes 3-Year Parts, 3-Year Labor, 3-Year Onsite support with next business day response. |

| | | |
|---|---------------------------|---|
| Quad-Core Models HP ProLiant DL380 G7 E5620 1P 6GB-R P410i/256 8 SFF 460W PS Base Server 589152-xx1 | Processor(s) | (1) Intel® Xeon® E5620 (2.40GHz/4-core/12MB/80W, DDR3-1066, HT, Turbo 1/1/2/2) Processor |
| | Cache Memory | 12MB (1 x 12MB) Level 3 cache |
| | Memory | 6 GB (3 x 2 GB) PC3-10600R (DDR3-1333) Registered DIMMs NOTE: Total of 18 DIMM slots. |
| | Network Controller | Two HP NC382i Dual Port Multifunction Gigabit Server Adapters |
| | Storage Controller | HP Smart Array P410i/256MB Controller |
| | Hard Drive | None ship standard |
| | Internal Storage | Standard: 8 SFF SAS/SATA HDD Bays Optional: 16 SFF SAS/SATA HDD Bays |
| | Optical Drive | None ship standard |
| | Power Supply | (1) 460W Hot Plug Power Supply |
| | Fans | (4) (N+1 redundancy standard) |
| | Form Factor | Rack (2U), Height 3.38-inch (8.59 cm); Width: 17.25 (44.54 cm); Depth: 27.25 inches (69.98 cm) |
| | Warranty | Server Warranty includes 3-Year Parts, 3-Year Labor, 3-Year Onsite support with next business day response. |

QuickSpecs

HP ProLiant DL380 Generation 7 (G7)

Pre-configured Models

Entry Models

| | | |
|--------------------------------|---------------------------|---|
| Quad-Core Models | Processor(s) | (1) Intel® Xeon® E5606 (2.13GHz/4-core/8MB/80W, DDR3-1066) Processor |
| HP ProLiant DL380 G7 | Cache Memory | 8MB (1 x 8MB) Level 3 cache |
| E5606 1P 4GB-R P410i/ZM | Memory | 4 GB (2 x 2 GB) PC3-10600R (DDR3-1333) Registered DIMMs NOTE: Total of 18 DIMM slots. |
| 8 SFF 460W PS Server | Network Controller | Two HP NC382i Dual Port Multifunction Gigabit Server Adapters |
| 633408-xx1 | Storage Controller | HP Smart Array P410i/Zero Memory Controller |
| | Hard Drive | None ship standard |
| | Internal Storage | Standard: 8 SFF SAS/SATA HDD Bays Optional: 16 SFF SAS/SATA HDD Bays |
| | Optical Drive | None ship standard |
| | Power Supply | (1) 460W Hot Plug Power Supply |
| | Fans | (4) (N+1 redundancy standard) |
| | Form Factor | Rack (2U), Height 3.38-inch (8.59 cm); Width: 17.25 (44.54 cm); Depth: 27.25 inches (69.98 cm) |
| | Warranty | Server Warranty includes 3-Year Parts, 3-Year Labor, 3-Year Onsite support with next business day response. |

Efficiency Model

| | | |
|--|---------------------------|---|
| Quad-Core Models | Processor(s) | (1) Intel® Xeon® L5630 (2.13GHz/4-core/12MB/40W, DDR3-1066, HT, Turbo 1/1/2/2) Processor |
| HP ProLiant DL380 G7 | Cache Memory | 12MB (1 x 4MB) Level 3 cache |
| L5630 1P 4GB-U P410i/ZM | Memory | 4 GB (2 x 2 GB) PC3-10600E (DDR3-1333) Unbuffered DIMMs NOTE: Total of 18 DIMM slots. |
| 4 SFF 460W PS Efficiency Server | Network Controller | Two HP NC382i Dual Port Multifunction Gigabit Server Adapters |
| 583969-xx1 | Storage Controller | HP Smart Array P410i/Zero Memory Controller |
| | Hard Drive | None ship standard |
| | Internal Storage | Standard: 8 SFF SAS/SATA HDD Bays Optional: 16 SFF SAS/SATA HDD Bays |
| | Optical Drive | None ship standard |
| | Power Supply | (1) 460W 94% Efficient Hot Plug Power Supply |
| | Fans | (4) (N+1 redundancy standard) |
| | Form Factor | Rack (2U), Height 3.38-inch (8.59 cm); Width: 17.25 (44.54 cm); Depth: 27.25 inches (69.98 cm) |
| | Warranty | Server Warranty includes 3-Year Parts, 3-Year Labor, 3-Year Onsite support with next business day response. |

Pre-configured Models

| | | |
|-------------------------|---------|--------|
| Country Code Key | xx = 00 | U.S. |
| | xx = 20 | Brazil |
| | xx = 29 | Japan |
| | xx = 37 | APD |
| | xx = 42 | Europe |
| | xx = AA | PRC |

Configuration Information - Factory Integrated Models

NOTE: This section lists some of the steps required to configure a Factory Integrated Model. To ensure only valid configurations are ordered, HP recommends the use of an HP approved configurator. Contact your local sales representative for information on configurable product offerings and requirements.

NOTE: Configure-to-order (CTO) servers must start with a CTO Chassis.

NOTE: FIO indicates that this option is only available as a factory installable option.

Step 1: Base Configuration (choose one of the following configurable models)

| | |
|------------------|--|
| HP Models | <p>HP ProLiant DL380 G7 SFF Configure-to-order Server 583914-B21</p> <p>Factory Integrated Model ships with:</p> <p>Two HP NC382i Dual Port Multifunction Gigabit Server Adapters Smart Array P410i Controller I/O slots - 3 Slots come standard:</p> <ul style="list-style-type: none"> ● Slot 1 - FL/FH x8 PCIE (x16 connector) ● Slot 2 - HL/FH x4 PCIE (x8 connector) ● Slot 3 - HL/FH x4 PCIE (x8 connector) <ul style="list-style-type: none"> ○ Additional Slots may be added via selections from the PCI Information and Options subsection <p>System Fans - 4 (2 additional fans included with second processor) Drive Cage - 8-SFF (Second SFF drive cage optional) USB - 2 Rear, 2 Front, 1 Internal, 1 SD slot Server Management - (iLO 3) (embedded) NOTE: Power Supply not included - choose from Options section</p> |
| | <p>HP ProLiant DL380 G7 LFF Configure-to-order Server 583917-B21</p> <p>Factory Integrated Model ships with:</p> <p>Two HP NC382i Dual Port Multifunction Gigabit Server Adapters Smart Array P410i Controller I/O slots - 3 Slots come standard:</p> <ul style="list-style-type: none"> ● Slot 1 - FL/FH x8 PCIE (x16 connector) ● Slot 2 - HL/FH x4 PCIE (x8 connector) ● Slot 3 - HL/FH x4 PCIE (x8 connector) <ul style="list-style-type: none"> ○ Additional Slots may be added via selections from the PCI Information and Options subsection <p>Drive Cage - 6-LFF System Fans - 4 (2 additional fans included with second processor) USB - 2 Rear, 2 Front, 1 Internal, 1 SD slot Server Management - (iLO 3) (embedded) NOTE: Power Supply not included - choose from Options section NOTE: On LFF Model Optional Optical Drive is not available</p> |

Step 2: Choose Required Options (only one of the following from each list unless otherwise noted)

HP Processors **NOTE:** If two processors are desired, select one xxxxxx-L21 and one xxxxxx-B21 unless Performance Model features are desired. Then choose one xxxxxx-L21 and the

Configuration Information - Factory Integrated Models

corresponding HP Performance Pack from Step 3 below.

Six-Core Processors

| | |
|---|------------|
| HP DL380 G7 Intel® Xeon® X5690 (3.46GHz/6-core/12MB/130W) FIO Processor Kit | 633410-L21 |
| HP DL380 G7 Intel® Xeon® X5675 (3.06GHz/6-core/12MB/95W) FIO Processor Kit | 633414-L21 |
| HP DL380 G7 Intel® Xeon® E5649 (2.53GHz/6-core/12MB/80W) FIO Processor Kit | 633418-L21 |
| HP DL380 G7 Intel® Xeon® E5645 (2.40GHz/6-core/12MB/80W) FIO Processor Kit | 633420-L21 |

Quad-Core Processors

| | |
|---|------------|
| HP DL380 G7 Intel® Xeon® X5687 (3.60GHz/4-core/12MB/130W) FIO Processor Kit | 633412-L21 |
| HP DL380 G7 Intel® Xeon® X5672 (3.20GHz/4-core/12MB/95W) FIO Processor Kit | 633416-L21 |
| HP DL380 G7 Intel® Xeon® E5630 (2.53GHz/4-core/12MB/80W) FIO Processor Kit | 587478-L21 |
| HP DL380 G7 Intel® Xeon® E5606 (2.13GHz/4-core/8MB/80W) FIO Processor Kit | 633442-L21 |
| HP DL380 G7 Intel® Xeon® E5603 (1.60GHz/4-core/4MB/80W) FIO Processor Kit | 633444-L21 |

HP Memory**Registered DIMMs (RDIMMs)**

| | |
|--|------------|
| HP 2GB (1x2GB) Dual Rank x8 PC3-10600 (DDR3-1333) Registered CAS-9 Memory Kit | 500656-B21 |
| HP 4GB (1x4GB) Dual Rank x4 PC3-10600 (DDR3-1333) Registered CAS-9 Memory Kit | 500658-B21 |
| HP 4GB (1x4GB) Single Rank x4 PC3-10600 (DDR3-1333) Registered CAS-9 Memory Kit | 593339-B21 |
| HP 4GB (1x4GB) Single Rank x4 PC3L-10600 (DDR3-1333) Registered CAS-9 Low Power Memory Kit | 604504-B21 |

NOTE: Low Voltage DIMMs can only be used with Intel® Xeon® processor 5600 series processors.

| | |
|--|------------|
| HP 8GB (1x8GB) Dual Rank x4 PC3-10600 (DDR3-1333) Registered CAS-9 Memory Kit | 500662-B21 |
| HP 8GB (1x8GB) Dual Rank x4 PC3L-10600 (DDR3-1333) Registered CAS-9 Low Power Memory Kit | 604506-B21 |

NOTE: Low Voltage DIMMs can only be used with Intel® Xeon® processor 5600 series processors.

| | |
|---|------------|
| HP 16GB (1x16GB) Quad Rank x4 PC3-8500 (DDR3-1066) Registered CAS-7 Memory Kit | 500666-B21 |
| HP 16GB (1x16GB) Dual Rank x4 PC3L-10600 (DDR3-1333) Registered CAS-9 LP Memory Kit | 627812-B21 |
| HP 32GB (1x32GB) Quad Rank x4 PC3L-8500 (DDR3-1066) Registered CAS-7 LP Memory Kit | 627814-B21 |

Unbuffered with ECC DIMMs (UDIMMs)

| | |
|--|------------|
| HP 1GB (1x1GB) Single Rank x8 PC3-10600 (DDR3-1333) Unbuffered CAS-9 Memory Kit | 500668-B21 |
| HP 2GB (1x2GB) Dual Rank x8 PC3-10600 (DDR3-1333) Unbuffered CAS-9 Memory Kit | 500670-B21 |
| HP 4GB (1x4GB) Dual Rank x8 PC3-10600 (DDR3-1333) Unbuffered CAS-9 Memory Kit | 500672-B21 |
| HP 4GB (1x4GB) Dual Rank x8 PC3L-10600 (DDR3-1333) Unbuffered CAS-9 Low Power Memory Kit | 619488-B21 |

NOTE: All DDR3 memory option kits consist of one DIMM per kit. For detailed memory configuration rules and guidelines, please use the Online DDR3 Memory Configuration Tool: www.hp.com/go/ddr3memory-configurator.

NOTE: Kits described as LP include Low Power DIMMs. For more information on ProLiant Energy Efficient Features, see: www.hp.com/go/proliant-energy-efficient

NOTE: PC3L is a low voltage memory

HP Power Supplies

NOTE: Prior to making a power supply selection it is highly recommended that the HP



Configuration Information - Factory Integrated Models

Power Advisor is run to determine the right size power supply for your server configuration. The HP Power Advisor is located at: www.hp.com/go/hppoweradvisor.

HP Common Slot Platinum Power Supplies

| | |
|---|------------|
| HP 460W Common Slot Platinum Hot Plug Power Supply Kit | 593188-B21 |
| HP 750W Common Slot Platinum Hot Plug Power Supply Kit | 593831-B21 |
| HP 1200W Common Slot Platinum Hot Plug Power Supply Kit | 578322-B21 |

HP Common Slot Gold Power Supplies

| | |
|--|------------|
| HP 460W Common Slot Gold Hot Plug Power Supply Kit | 503296-B21 |
| HP 750W Common Slot Gold Hot Plug Power Supply Kit | 512327-B21 |

HP Common Slot -48VDC Power Supplies

| | |
|---|------------|
| HP 1200W Common Slot -48VDC Hot Plug Power Supply Kit | 437573-B21 |
|---|------------|

NOTE: DC power supplies contain a -48V DC power cord designed for in rack DC power rectifiers.

NOTE: Option Kits contain optional power supply, an IEC power cable and PDU IEC cables.

Step 3: Choose Additional Factory Integratable Options (only one of the following from each list unless otherwise noted)

HP Performance Packs

The HP ProLiant DL380 performance packs are necessary to configure a HP ProLiant DL380 Performance Model. HP ProLiant DL380 Performance model includes the latest performance technologies and enterprise class availability features pre-installed for convenience and value.

- The performance pack includes:
 - 2nd processor
 - 750-watt redundant power supply
 - 1GB FBWC cache module for P410i
 - One DL380 G6 HP Fan kit (contains qty of 2)
 - Insight Control license with 1 yr 24x7 support

NOTE: Must also select Slimline SATA DVD RW Optical Drive (481043-B21) to achieve parity to DL380 High Performance Models.

| | |
|---|------------|
| HP DL380 G7 X5650 High Performance Model FIO Performance Pack | 593824-B21 |
| HP DL380 G7 X5660 High Performance Model FIO Performance Pack | 593825-B21 |
| HP DL380 G7 X5690 FIO High Performance Pack | 633445-B21 |

HP Insight Software

| | |
|--|--------|
| HP Insight Control including 1yr 24x7 Support ProLiant ML/DL/BL-bundle Single Server FIO License | C6N36A |
|--|--------|

Step 4: Choose Additional Options for Factory Integration

NOTE: For additional options, please refer to the "Core Options and Additional Options" section below.

Core Options

NOTE: Some options may not be integrated at the factory. Contact your local sales representative for additional information.

| | | |
|--------------------------|---|------------|
| HP Unique Options | HP DL380 G6 8 Small Form Factor (SFF) Drive Cage Kit | 516914-B21 |
| | NOTE: Second drive cage installation replaces internal optical bay. | |
| | NOTE: Second drive cage requires second controller or HP SAS Expander Card (468406-B21). | |
| | HP DL380 G6 3 Slot PCI-E Riser Kit | 500579-B21 |

HP Processors

Six-Core Processors

| | |
|---|------------|
| HP DL380 G7 Intel® Xeon® X5690 (3.46GHz/6-core/12MB/130W) Processor Kit | 633410-B21 |
| HP DL380 G7 Intel® Xeon® X5675 (3.06GHz/6-core/12MB/95W) Processor Kit | 633414-B21 |
| HP DL380 G7 Intel® Xeon® X5670 (2.93GHz/6-core/12MB/95W) Processor Kit | 587493-B21 |
| HP DL380 G7 Intel® Xeon® X5660 (2.80GHz/6-core/12MB/95W) Processor Kit | 587491-B21 |
| HP DL380 G7 Intel® Xeon® X5650 (2.66GHz/6-core/12MB/95W) Processor Kit | 587482-B21 |
| HP DL380 G7 Intel® Xeon® E5649 (2.53GHz/6-core/12MB/80W) Processor Kit | 633418-B21 |
| HP DL380 G7 Intel® Xeon® E5645 (2.40GHz/6-core/12MB/80W) Processor Kit | 633420-B21 |
| HP DL380 G7 Intel® Xeon® L5640 (2.26GHz/6-core/12MB/60W) Processor Kit | 587507-B21 |

Quad-Core Processors

| | |
|---|------------|
| HP DL380 G7 Intel® Xeon® X5687 (3.60GHz/4-core/12MB/130W) Processor Kit | 633412-B21 |
| HP DL380 G7 Intel® Xeon® X5672 (3.20GHz/4-core/12MB/95W) Processor Kit | 633416-B21 |
| HP DL380 G7 Intel® Xeon® E5640 (2.66GHz/4-core/12MB/80W) Processor Kit | 587480-B21 |
| HP DL380 G7 Intel® Xeon® E5630 (2.53GHz/4-core/12MB/80W) Processor Kit | 587478-B21 |
| HP DL380 G7 Intel® Xeon® E5620 (2.40GHz/4-core/12MB/80W) Processor Kit | 587476-B21 |
| HP DL380 G7 Intel® Xeon® E5606 (2.13GHz/4-core/8MB/80W) Processor Kit | 633442-B21 |
| HP DL380 G7 Intel® Xeon® E5603 (1.60GHz/4-core/4MB/80W) Processor Kit | 633444-B21 |
| HP DL380 G7 Intel® Xeon® L5630 (2.13GHz/4-core/12MB/40W) Processor Kit | 587505-B21 |

HP Memory

Registered DIMMs (RDIMMs)

| | |
|---|------------|
| HP 2GB (1x2GB) Dual Rank x8 PC3-10600 (DDR3-1333) Registered CAS-9 Memory Kit | 500656-B21 |
| HP 4GB (1x4GB) Dual Rank x4 PC3-10600 (DDR3-1333) Registered CAS-9 Memory Kit | 500658-B21 |
| HP 4GB (1x4GB) Single Rank x4 PC3-10600 (DDR3-1333) Registered CAS-9 Memory Kit | 593339-B21 |
| HP 4GB (1x4GB) Single Rank x4 PC3L-10600 (DDR3-1333) Registered CAS-9 Low Power Memory Kit | 604504-B21 |
| NOTE: Low Voltage DIMMs can only be used with Intel® Xeon® processor 5600 series processors. | |
| HP 8GB (1x8GB) Dual Rank x4 PC3-10600 (DDR3-1333) Registered CAS-9 Memory Kit | 500662-B21 |
| HP 8GB (1x8GB) Dual Rank x4 PC3L-10600 (DDR3-1333) Registered CAS-9 Low Power Memory Kit | 604506-B21 |
| NOTE: Low Voltage DIMMs can only be used with Intel® Xeon® processor 5600 series processors. | |
| HP 16GB (1x16GB) Quad Rank x4 PC3-8500 (DDR3-1066) Registered CAS-7 Memory Kit | 500666-B21 |

Core Options

HP 16GB (1x16GB) Dual Rank x4 PC3L-10600 (DDR3-1333) Registered CAS-9 LP Memory Kit 627812-B21

HP 32GB (1x32GB) Quad Rank x4 PC3L-8500 (DDR3-1066) Registered CAS-7 LP Memory Kit 627814-B21

Unbuffered with ECC DIMMs (UDIMMs)

HP 1GB (1x1GB) Single Rank x8 PC3-10600 (DDR3-1333) Unbuffered CAS-9 Memory Kit 500668-B21

HP 2GB (1x2GB) Dual Rank x8 PC3-10600 (DDR3-1333) Unbuffered CAS-9 Memory Kit 500670-B21

HP 4GB (1x4GB) Dual Rank x8 PC3-10600 (DDR3-1333) Unbuffered CAS-9 Memory Kit 500672-B21

HP 4GB (1x4GB) Dual Rank x8 PC3L-10600 (DDR3-1333) Unbuffered CAS-9 Low Power Memory Kit 619488-B21

NOTE: All DDR3 memory option kits consist of one DIMM per kit. For detailed memory configuration rules and guidelines, please use the Online DDR3 Memory Configuration Tool: www.hp.com/go/ddr3memory-configurator.

NOTE: Kits described as LP include Low Power DIMMs. For more information on ProLiant Energy Efficient Features, see: www.hp.com/go/proliant-energy-efficient

NOTE: PC3L is a low voltage memory.

HP Optical Drives

HP Slim 12.7mm SATA DVD-RW Optical Drive 481043-B21
NOTE: Included in performance models.

HP Slim 12.7mm SATA DVD-ROM Optical Drive 481041-B21
NOTE: There is no optical drive support in the LFF Hard Drive models, or optional 8 SFF HDD

HP Hard Drives

NOTE: The components of a storage subsystem (e.g. the drive, the HBA/controller, firmware, and the server backplane) should operate at the same data transfer rate or the system bandwidth will be negotiated down to an acceptable level for all components.

NOTE: Hard drives have either a one year or three year warranty; refer to the specific hard drive QuickSpecs for details.

SAS Hot Plug SFF (2.5-inch) Enterprise (ENT) Drives

HP 1.2TB 6G SAS 10K SFF (2.5-inch) Dual Port Enterprise 3yr Warranty Hard Drive 693648-B21

HP 900GB 6G SAS 10K rpm SFF (2.5-inch) Dual Port Enterprise 3yr Warranty Hard Drive 619291-B21

HP 600GB 6G SAS 10K rpm SFF (2.5-inch) Dual Port Enterprise 3yr Warranty Hard Drive 581286-B21

HP 450GB 6G SAS 10K rpm SFF (2.5-inch) Dual Port Enterprise 3yr Warranty Hard Drive 581284-B21

HP 300GB 6G SAS 15K rpm SFF (2.5-inch) Hot Plug Enterprise 3 yr Warranty Hard Drive 627117-B21

HP 300GB 6G SAS 10K rpm SFF (2.5-inch) Dual Port Enterprise 3yr Warranty Hard Drive 507127-B21

HP 146GB 6G SAS 15K rpm SFF (2.5-inch) Dual Port Enterprise 3yr Warranty Hard Drive 512547-B21

SAS Hot Plug LFF (3.5-inch) Enterprise (ENT) Drives

HP 600GB 6G SAS 15K rpm LFF (3.5-inch) Dual Port Enterprise 3yr Warranty Hard Drive 516828-B21

HP 450GB 6G SAS 15K rpm LFF (3.5-inch) Dual Port Enterprise 3yr Warranty Hard Drive 516816-B21

HP 300GB 6G SAS 15K rpm LFF (3.5-inch) Dual Port Enterprise 3yr Warranty Hard Drive 516814-B21

SAS Hot Plug SFF (2.5-inch) Midline (MDL) Drives

Core Options

| | |
|--|------------|
| HP 1TB 6G SAS 7.2K rpm SFF (2.5-inch) Dual Port Midline 1yr Warranty Hard Drive | 605835-B21 |
| HP 500GB 6G SAS 7.2K rpm SFF (2.5-inch) Dual Port Midline 1yr Warranty Hard Drive | 507610-B21 |
| SAS Hot Plug LFF (3.5-inch) Midline (MDL) Drives | |
| HP 3TB 6G SAS 7.2K rpm LFF (3.5-inch) Midline 1yr Warranty Hard Drive | 625031-B21 |
| HP 2TB 6G SAS 7.2K rpm LFF (3.5-inch) Dual Port Midline 1yr Warranty Hard Drive | 507616-B21 |
| HP 1TB 6G SAS 7.2K rpm LFF (3.5-inch) Dual Port Midline 1yr Warranty Hard Drive | 507614-B21 |
| NOTE: Please see the QuickSpecs for Technical Specifications and additional information: http://h18000.www1.hp.com/products/quickspecs/12244_div/12244_div.html (Worldwide) | |
| SATA Hot Plug SFF (2.5-inch) Midline (MDL) Drives | |
| HP 1TB 3G SATA 7.2K rpm SFF (2.5-inch) Hot Plug Midline 1yr Warranty Hard Drive | 625609-B21 |
| HP 500GB 3G SATA 7.2K rpm SFF (2.5-inch) Midline 1yr Warranty Hard Drive | 507750-B21 |
| SATA Hot Plug LFF (3.5-inch) Midline (MDL) Drives | |
| HP 4TB 3G SATA 7.2k rpm LFF (3.5-inch) Midline 1yr Warranty Hard Drive | 694374-B21 |
| HP 3TB 3G SATA 7.2K rpm LFF (3.5-inch) Midline 1yr Warranty Hard Drive | 628059-B21 |
| HP 2TB 3G SATA 7.2K rpm LFF (3.5-inch) Midline 1yr Warranty Hard Drive | 507632-B21 |
| HP 1TB 3G SATA 7.2K rpm LFF (3.5-inch) Midline 1yr Warranty Hard Drive | 454146-B21 |
| HP 500GB 3G SATA 7.2K rpm LFF (3.5-inch) Midline 1yr Warranty Hard Drive | 458928-B21 |
| SATA Hot Plug LFF (3.5-inch) Entry (ETY) Drives | |
| HP 250GB 3G SATA 7.2K rpm LFF (3.5-inch) Entry 1yr Warranty Hard Drive | 571230-B21 |
| 6G SAS ME Hot Plug SFF (2.5-inch) Enterprise Mainstream Solid State Drives | |
| HP 800GB 6G SAS Mainstream Endurance SFF 2.5-in Enterprise Mainstream 3yr Warranty Solid State Drive | 690823-B21 |
| HP 400GB 6G SAS Mainstream Endurance SFF 2.5-in ENT Mainstream 3yr Warranty Solid State Drive | 690821-B21 |
| HP 200GB 6G SAS Mainstream Endurance SFF 2.5-in Enterprise Mainstream 3yr Warranty Solid State Drive | 690819-B21 |
| SATA Hot Plug 2.5" Enterprise Mainstream Solid State Drives | |
| HP 400GB 3G SATA MLC SFF (2.5-inch) Enterprise Mainstream 3yr Warranty Solid State Drive | 636597-B21 |
| HP 200GB 3G SATA MLC SFF (2.5-inch) Enterprise Mainstream 3yr Warranty Solid State Drive | 636595-B21 |
| HP 100GB 3G SATA MLC SFF (2.5-inch) Enterprise Mainstream 3yr Warranty Solid State Drive | 636593-B21 |
| SATA Hot Plug 3.5" Midline (MDL) Solid State Drives | |
| HP 400GB 3G SATA MLC LFF (3.5-inch) Enterprise Mainstream 3yr Warranty Solid State Drive | 636611-B21 |
| HP 200GB 3G SATA MLC LFF (3.5-inch) Enterprise Mainstream 3yr Warranty Solid State Drive | 636609-B21 |
| HP 100GB 3G SATA MLC LFF (3.5-inch) Enterprise Mainstream 3yr Warranty Solid State Drive | 636607-B21 |
| 6G SAS Hot Plug Enterprise Performance Solid State Drives | |

Core Options

HP 400GB 6G SAS SLC SFF (2.5-inch) Enterprise Performance 3yr Warranty Solid State Drive 632494-B21

HP 200GB 6G SAS SLC SFF (2.5-inch) Enterprise Performance 3yr Warranty Solid State Drive 632492-B21

NOTE: Please see the QuickSpecs for Technical Specifications and additional information:

http://h18000.www1.hp.com/products/quickspecs/14038_div/14038_div.html
(Worldwide)

HP Networking

Gigabit Ethernet adapters

HP NC112T PCI Express Gigabit Server Adapter 503746-B21

HP NC360T PCI-E Dual Port Gigabit Server Adapter 412648-B21

HP NC365T 4-port Ethernet Server Adapter 593722-B21

HP NC373F PCI-E Multifunction 1000SX Gigabit Svr Adapter 394793-B21

HP NC373T PCI-E Multifunction Gigabit Server Adapter 394791-B21

HP NC375T PCI Express Quad Port Gigabit Server Adapter 538696-B21

HP NC382T PCI Express Dual Port Multifunction Gigabit Server Adapter 458492-B21

10 Gigabit Ethernet Adapters

NOTE: A minimum of two Gigabytes (2 GB) of server memory is required per each adapter.

NOTE: Direct Attach Cable (DAC) for copper environments or fiber transceivers and cables for fiber-optic environments must be purchased separately.

HP NC522SFP Dual Port 10GbE Gigabit Server Adapter 468332-B21

HP NC550SFP Dual Port 10GbE Server Adapter 581201-B21

HP NC523SFP 10Gb 2-port Server Adapter 593717-B21

HP NC552SFP 10Gb 2-port Ethernet Server Adapter 614203-B21

HP 10 GbE PCI-e G2 Dual Port Network Interface Card 516937-B21

NOTE: Please see the QuickSpecs for Technical Specifications and additional information: www.hp.com/go/ProLiantNICs

HP InfiniBand

HP InfiniBand 4X QDR ConnectX-2 PCIe G2 Dual Port HCA 592520-B21

HP InfiniBand 4X DDR ConnectX-2 PCIe G2 Dual Port HCA 592521-B21

QLogic InfiniBand 4X QDR PCI-E G2 Dual Port HCA 583211-B21

HP InfiniBand FDR/EN 10/40Gb Dual Port 544QSFP Adapter 649281-B21

NOTE: Please see the QuickSpecs for additional information:

http://h18000.www1.hp.com/products/quickspecs/13078_div/13078_div.html

Core Options

| | | |
|---------------------------------|--|------------|
| HP I/O Expansion Options | HP DL380 G6 3 Slot PCI-E Riser Kit | 500579-B21 |
| | NOTE: Supports the HP ProLiant DL380 G7 server. | |
| | HP DL385G5p PCI-X Riser Kit | 494322-B21 |
| | HP DL38X G5p/G6/G7 PCI-E x16 Riser Kit | 494323-B21 |
| | HP DL38X (2) x8 PCI-E Riser Kit | 494326-B21 |

HP Power Supplies

NOTE: Prior to making a power supply selection it is highly recommended that the HP Power Advisor is run to determine the right size power supply for your server configuration. The HP Power Advisor is located at: www.hp.com/go/hppoweradvisor.

HP Common Slot Platinum Power Supplies

| | |
|---|------------|
| HP 460W Common Slot Platinum Hot Plug Power Supply Kit | 593188-B21 |
| HP 750W Common Slot Platinum Hot Plug Power Supply Kit | 593831-B21 |
| HP 1200W Common Slot Platinum Hot Plug Power Supply Kit | 578322-B21 |

HP Common Slot Gold Power Supplies

| | |
|--|------------|
| HP 460W Common Slot Gold Hot Plug Power Supply Kit | 503296-B21 |
| HP 750W Common Slot Gold Hot Plug Power Supply Kit | 512327-B21 |

HP Common Slot -48VDC Power Supplies

| | |
|---|------------|
| HP 1200W Common Slot -48VDC Hot Plug Power Supply Kit | 437573-B21 |
|---|------------|

NOTE: DC power supplies contain a -48V DC power cord designed for in rack DC power rectifiers.

Additional Options

HP Insight Software**HP Insight Control**

HP Insight Control including 1yr 24x7 Technical Support and Updates Single Server License C6N27A

HP Insight Control including 1yr 24x7 Technical Support and Updates Electronic License C6N28AAE

HP Insight Control Server Provisioning Media Kit BD883A

HP Insight Management Media Kit C6N31A

HP Insight Control including 1yr 24x7 Support ProLiant ML/DL/BL-bundle Electronic License C6N36AAE

HP Insight Control Server Deployment including 1yr 24x7 Support Electronic License T9082AAE

HP Insight Control Server Deployment including 1yr 24x7 Support Single Server License 452151-B21

NOTE: Electronic and Flexible-Quantity licenses can be used to purchase multiple licenses with a single activation key.

NOTE: Customer will receive a license entitlement certificate. The license entitlement certificate must be redeemed online or via fax in order to obtain the license activation key(s). Includes one year of 24 x 7 HP Software Technical Support and Update Service.

NOTE: Licenses ship without media. The HP Insight Control Media Kit can be ordered separately, or can be downloaded at: <http://www.hp.com/go/insightupdates>.

NOTE: For additional license options please see the QuickSpecs at:

http://h18000.www1.hp.com/products/quickspecs/12631_div/12631_div.html

HP Integrated Lights-Out (iLO) Advanced for ProLiant

HP iLO Advanced including 1yr 24x7 Technical Support and Updates Electronic License TA850AAE

HP iLO Advanced Electronic License with 3yr 24x7 Tech Support and Updates BD506AAE

HP iLO Advanced including 1yr 24x7 Technical Support and Updates Single Server License 512485-B21

HP iLO Advanced 1 Server License with 3yr 24x7 Tech Support and Updates BD505A

NOTE: For additional license options please see the QuickSpecs at:

http://h18004.www1.hp.com/products/quickspecs/14276_div/14276_div.html

NOTE: For more information, visit: <http://www.hp.com/go/ilo>

Additional Options

High Performance Clusters**HP Cluster Management Utility**

HP Insight Cluster Management Utility 1yr 24x7 Flexible License QL803B

HP Insight Cluster Management Utility 3yr 24x7 Flexible License BD476A

NOTE: These part numbers can be used to purchase one certificate for multiple licenses and support with a single activation key. Each license is for one node (server). Customer will receive a printed end user license agreement and license entitlement certificate via physical shipment. The license entitlement certificate must be redeemed online in order to obtain a license key. Customer also will receive a support agreement.

HP Insight Cluster Management Utility Media BD477A

NOTE: For additional license kits please see the QuickSpecs at:

http://h18004.www1.hp.com/products/quickspecs/12612_div/12612_div.html

HP HPC Linux Value Pack

HP High Performance Computing Linux Value Pack 1 Processor Flexible License for ProLiant Servers TC293B

NOTE: This part number can be used to purchase one certificate for multiple licenses with a single activation key. Each license is for one socket (a.k.a. processor). Customer will receive a printed end user license agreement and license entitlement certificate via physical shipment. The license entitlement certificate must be redeemed online in order to obtain a license key.

HP High Performance Computing Linux Value Pack Media Kit for ProLiant Servers TC294A

NOTE: This part number can be used to purchase media including software and documentation, which will be delivered to the customer.

NOTE: For additional license kits please see the QuickSpecs at:

http://h18004.www1.hp.com/products/quickspecs/13485_div/13485_div.html

HP Drive Cage Options

HP DL380 G6 8 Small Form Factor (SFF) Drive Cage Kit 516914-B21

NOTE: Supports the HP ProLiant DL380 G7 server.

NOTE: Second drive cage installation replaces internal optical bay.

NOTE: Second drive cage requires second controller or HP SAS Expander Card (468406-B21).

Additional Options

HP I/O Accelerator Options**Second Generation Accelerators**

| | |
|--|------------|
| HP 365GB Multi Level Cell G2 PCIe ioDrive2 for ProLiant Servers | 673642-B21 |
| HP 785GB Multi Level Cell G2 PCIe ioDrive2 for ProLiant Servers | 673644-B21 |
| HP 1205GB Multi Level Cell G2 PCIe ioDrive2 for ProLiant Servers | 673646-B21 |
| HP 2410GB Multi Level Cell G2 PCIe ioDrive2 Duo for ProLiant Servers | 673648-B21 |

First Generation Accelerators

| | |
|--|------------|
| HP 160GB Single Level Cell PCIe ioDrive for ProLiant Servers | 600278-B21 |
| HP 320GB Single Level Cell PCIe ioDrive Duo for ProLiant Servers | 600281-B21 |

NOTE: Please see the QuickSpecs for Technical Specifications and additional information:

http://h18000.www1.hp.com/products/quickspecs/13587_div/13587_div.html
(Worldwide)

HP Security

| | |
|-----------------------------------|------------|
| HP Trusted Platform Module Option | 488069-B21 |
|-----------------------------------|------------|

NOTE: The TPM (Trusted Platform Module) is a microcontroller chip that can securely store artifacts used to authenticate the server platform. These artifacts can include passwords, certificates and encryption keys. Windows® BitLocker™ Drive Encryption (BitLocker) is a data protection feature available in Windows Server® 2008. BitLocker leverages the enhanced security capabilities of a Trusted Platform Module (TPM) version 1.2. The TPM works with BitLocker to help protect user data and to ensure that a server running Windows Server 2008 has not been tampered with while the system was offline. For more information about TPM, including a white paper, go to: www.hp.com/go/TPM.

NOTE: ProLiant OS pre-installed units will come with the partition required for TPM deployment.

NOTE: The TPM key is unique to every TPM deployed server and must be retained. Misplacing or losing the key could result in data loss.

HP Storage Controllers**SAS Controllers****Smart Array P212 Controller**

| | |
|--|------------|
| HP Smart Array P212/256 1-ports Int/1-ports Ext PCIe x8 SAS Controller | 462834-B21 |
| HP Smart Array P212/ZM 1-ports Int/1-ports Ext PCIe x8 SAS Controller | 462828-B21 |

Smart Array P410 Controller

| | |
|---|------------|
| HP Smart Array P410/256 2-ports Int PCIe x8 SAS Controller | 462862-B21 |
| HP Smart Array P410/512 BBWC 2-ports Int PCIe x8 SAS Controller | 462864-B21 |
| HP Smart Array P410/512 FBWC 2-ports Int PCIe x8 SAS Controller | 578230-B21 |
| HP Smart Array P410/1G FBWC 2-ports Int PCIe x8 SAS Controller | 572532-B21 |

Smart Array P411 Controller

| | |
|---|------------|
| HP Smart Array P411/256 2-ports Ext PCIe x8 SAS Controller | 462830-B21 |
| HP Smart Array P411/512 BBWC 2-ports Ext PCIe x8 SAS Controller | 462832-B21 |
| HP Smart Array P411/512 FBWC 2-ports Ext PCIe x8 SAS Controller | 578229-B21 |
| HP Smart Array P411/1G FBWC 2-ports Ext PCIe x8 SAS Controller | 572531-B21 |

Additional Options

Smart Array P812 Controller

HP Smart Array P812/1G FBWC 2-ports Int/4-ports Ext PCIe x8 SAS Controller 487204-B21

Optional Upgrades

HP 256MB P-series Cache Upgrade 462968-B21

NOTE: Supported on HP Smart Array P212 Controller and as an upgrade on HP Smart Array P410i (Zero Memory).

HP 512MB P-Series Battery Backed Write Cache Upgrade 462967-B21

HP 1GB Flash Backed Cache 534562-B21

NOTE: Supported on the Smart Array P410i Controller only.

HP 512MB Flash Backed Write Cache 534916-B21

NOTE: Supported on the Smart Array P410i Controller only.

HP Smart Array Advanced Pack including 1yr 24x7 Technical Support and Updates Single Server License 516471-B21

NOTE: This part number can be used to purchase a single license or to order multiple licenses with a single activation key. Customers will receive a license entitlement certificate via e-mail. The license entitlement certificate must be redeemed online or via fax in order to obtain the license activation key(s). Include one year of 24x7 HP Software Technical Support Services.

NOTE: Please see the QuickSpecs for Technical Specifications and additional information:

http://h18000.www1.hp.com/products/quickspecs/13203_div/13203_div.html
(Smart Array P212 Controller)

http://h18000.www1.hp.com/products/quickspecs/13201_div/13201_div.html
(Smart Array P410 Controller)

http://h18000.www1.hp.com/products/quickspecs/13202_div/13202_div.html
(Smart Array P411 Controller)

http://h18000.www1.hp.com/products/quickspecs/13558_div/13558_div.html
(Smart Array P812 Controller)

http://h18000.www1.hp.com/products/quickspecs/13200_div/13200_div.html
(Smart Array Advanced Pack)

SAS Controller Options

HP 24 Bay SAS Expander Card 468406-B21

NOTE: Please see the QuickSpecs for Technical Specifications and additional information:

http://h18004.www1.hp.com/products/quickspecs/13232_div/13232_div.html
(SAS Expander Card)

SAS HBA

HP Modular Smart Array SC08e 2-ports Ext PCIe x8 SAS Host Bus Adapter 614988-B21

NOTE: This is a 2 x4 External Port HBA

NOTE: This is only approved for the HP P2000 G3 SAS Modular Smart Array.

NOTE: Please see the QuickSpecs for Technical Specifications and additional information:

http://h18004.www1.hp.com/products/quickspecs/13651_div/13651_div.html
(SC08e 6Gb HBA)

SCSI HBA

HP SC11Xe Ultra320 Single Channel/ PCIe x4 SCSI Host Bus Adapter 412911-B21

Additional Options

NOTE: Please see the following QuickSpecs for additional information:

http://h18000.www1.hp.com/products/quickspecs/12566_div/12566_div.html

(SC11Xe HBA)

HP Power Cords

NOTE: HP ProLiant servers ships with an IEC-IEC power cord used for rack mounting with Power Distribution Units (PDUs).

| | |
|--|--------|
| HP C13 - SEV 1011 CH 250V 10Amp 1.83m Power Cord | AF565A |
| HP C13 - DK-2.5A DK 250V 10Amp 1.83m Power Cord | AF566A |
| HP C13 - CEE-VII EU 250V 10Amp 1.83m Power Cord | AF568A |
| HP C13 - BS-1363A UK/HK/SG 250V 10Amp 1.83m Power Cord | AF570A |
| HP C13 - CEI-23-50 IT/CL 250V 10Amp 1.83m Power Cord | AF571A |
| HP C13 - SABS-164 ZA 250V 10Amp 2.5m Power Cord | AF567A |
| HP C13 - Nema 6-15P US 250V 15A JP 3.6m Power Cord | A0N33A |
| HP C13 - Nema 5-15P US/CA 110V 10Amp 1.83m Power Cord | AF556A |

HP Tape Backup

NOTE: For the complete range of tape drives, autoloaders, libraries and media see: <http://www.hp.com/go/tape>. For hardware and software compatibility of HP tape backup products see: <http://www.hp.com/storage/SPOCK> and www.hp.com/go/ebs.

NOTE: For Internal drives to be connected to DL servers please make sure that you order rack mount kit as well.

| | |
|--|--------|
| HP StoreEver LTO-3 Ultrium 920 SAS Internal Tape Drive | EH847B |
| NOTE: For installation into 1U SAS rack kit (AE459B) or 3U SAS rack kit (AG576B). No peripheral bay available for installation into the server. Connection using HP P212 Smart Array Controller SAS (462828-B21) recommended. | |
| HP StoreEver LTO-4 Ultrium 1760 SAS (1) in 1U Rack-mount Kit | EH946C |
| NOTE: Connection using HP P212 Smart Array Controller SAS (462828-B21) recommended. | |
| HP StoreEver LTO-5 Ultrium 3000 SAS Tape Drive in 1U Rack-mount | EJ014B |
| HP StoreEver LTO-6 Ultrium 6250 Tape Drive in 1U Rack-mount Kit | COL99A |
| HP StoreEver LTO-6 Ultrium 6650 Internal Tape Drive | EH963A |
| HP StoreEver LTO-6 Ultrium 6650 External Tape Drive | EH964A |
| HP StoreEver LTO-6 Ultrium 6250 Internal Tape Drive | EH969A |
| HP StoreEver LTO-6 Ultrium 6250 External Tape Drive | EH970A |

Additional Options

HP Disk Backup

NOTE: For the complete range of D2D Backup Systems see: <http://www.hp.com/go/d2d>. For the complete range of RDX drives and media see: <http://www.hp.com/go/rdx>. For hardware and software compatibility of HP disk backup products see: <http://www.hp.com/storage/SPOCK>.

HP D2D Backup Systems with Backup Data Deduplication

| | |
|-------------------------------------|--------|
| HP StoreOnce D2D2502i Backup System | EJ001C |
| HP StoreOnce D2D2504i Backup System | EJ002C |
| HP StoreOnce D2D4112 Backup System | EH993C |

HP RDX Removable Disk Backup Systems USB

| | |
|---|--------|
| HP RDX1000 USB3.0 DL Server Backup Module | B7B68A |
| HP RDX500 USB3.0 DL Server Backup Module | B7B65A |

HP StoreOnce Backup systems

| | |
|--------------------------------|--------|
| HP StoreOnce 2620 iSCSI Backup | BB852A |
| HP StoreOnce 4220 Backup | BB855A |

HP Storage Options**Storage Fibre Channel HBA**

NOTE: For the complete listing of Fibre Channel Host Bus Adapters for Windows 2000, Windows Server 2003 and Linux, please see: <http://h18006.www1.hp.com/storage/saninfrastructure/hba.html>

Brocade Fibre Channel HBAs

| | |
|---|--------|
| HP 81B 8Gb 1-port PCIe Fibre Channel Host Bus Adapter | AP769B |
| HP 82B 8Gb 2-port PCIe Fibre Channel Host Bus Adapter | AP770B |
| HP 41B 4Gb 1-port PCIe Fibre Channel Host Bus Adapter | AP767B |
| HP 42B 4Gb 2-port PCIe Fibre Channel Host Bus Adapter | AP768B |

Emulex Fibre Channel HBAs

| | |
|--|--------|
| HP 81E 8Gb 1-port PCIe Fibre Channel Host Bus Adapter | AJ762B |
| HP 82E 8Gb 2-port PCIe Fibre Channel Host Bus Adapter | AJ763B |
| HP FC2142SR 4Gb 1-port PCIe Fibre Channel Host Bus Adapter | A8002B |
| HP FC2242SR 4Gb 2-port PCIe Fibre Channel Host Bus Adapter | A8003B |
| HP SN1000E 16Gb 2-port PCIe Fibre Channel Host Bus Adapter | QR559A |
| HP SN1000E 16Gb 1-port PCIe Fibre Channel Host Bus Adapter | QR558A |

QLogic Fibre Channel HBAs

| | |
|--|--------|
| HP 81Q 8Gb 1-port PCIe Fibre Channel Host Bus Adapter | AK344A |
| HP 82Q 8Gb 2-port PCIe Fibre Channel Host Bus Adapter | AJ764A |
| HP StoreFabric SN1000Q 16GB 1-port PCIe Fibre Channel Host Bus Adapter | QW971A |
| HP StoreFabric SN1000Q 16GB 2-port PCIe Fibre Channel Host Bus Adapter | QW972A |
| HP FC1142SR 4Gb 1-port PCIe Fibre Channel Host Bus Adapter | AE311A |
| HP FC1242SR 4Gb 2-port PCIe Fibre Channel Host Bus Adapter | AE312A |

Converged Network Adapter

| | |
|--|--------|
| HP CN1100E Dual Port Converged Network Adapter | BK835A |
| HP CN1000Q Dual Port Converged Network Adapter | BS668A |

Additional Options

| | |
|--|--------|
| HP CN1000E Dual Port Converged Network Adapter | AW520B |
|--|--------|

HP Disk Storage Systems Disk Enclosures

| | |
|-------------------------|--------|
| HP D2600 Disk Enclosure | AJ940A |
|-------------------------|--------|

| | |
|-------------------------|--------|
| HP D2700 Disk Enclosure | AJ941A |
|-------------------------|--------|

NOTE: Please see the QuickSpecs for additional options and configuration information at:

http://h18000.www1.hp.com/products/quickspecs/13404_div/13404_div.html

HP Uninterruptible Power Systems HP Rack-mountable UPS**HP R1500 G3 Uninterruptible Power Supply (UPS)**

| | |
|--|--------|
| HP R1.5kVA G3 1U NA Uninterruptible Power System | AF469A |
|--|--------|

| | |
|---|--------|
| HP R1.5kVA G3 1U JP/TW Uninterruptible Power System | AF470A |
|---|--------|

| | |
|--|--------|
| HP R1.5kVA G3 1U INTL Uninterruptible Power System | AF471A |
|--|--------|

NOTE: Please see the QuickSpecs for additional information:

http://h18000.www1.hp.com/products/quickspecs/14059_div/14059_div.html
(Worldwide)

HP R/T3000 G2 Uninterruptible Power System (UPS)

| | |
|--|--------|
| HP R/T3000 G2 2U L530 Low Voltage NA/JP Uninterruptible Power System | AF466A |
|--|--------|

| | |
|---|--------|
| HP R/T3000 G2 2U L620 High Voltage NA/JP Uninterruptible Power System | AF467A |
|---|--------|

| | |
|---|--------|
| HP R/T3000 G2 2U Detachable Cord High Voltage INTL Uninterruptible Power System | AF468A |
|---|--------|

NOTE: Please see the QuickSpecs for additional information:

http://h18000.www1.hp.com/products/quickspecs/14058_div/14058_div.html
(Worldwide)

R5000 Uninterruptible Power System (UPS)

| | |
|---|--------|
| HP R5KVA 3U IEC309-32A High Voltage INTL Uninterruptible Power System | AF461A |
|---|--------|

| | |
|--|--------|
| HP R5KVA 3U L630 High Voltage NA/JP Uninterruptible Power System | AF460A |
|--|--------|

| | |
|---|--------|
| HP R5KVA and R7KVA 3U Extended Runtime Module | AF464A |
|---|--------|

NOTE: Please see the QuickSpecs for additional information:

http://h18000.www1.hp.com/products/quickspecs/14109_div/14109_div.html
(Worldwide)

R7000 Uninterruptible Power System (UPS)

| | |
|---|--------|
| HP R7KVA 4U 50A High Voltage NA/JP Uninterruptible Power System | AF462A |
|---|--------|

| | |
|--|--------|
| HP R7KVA 4U IEC-32A High Voltage INTL Uninterruptible Power System | AF463A |
|--|--------|

NOTE: Please see the QuickSpecs for additional information:

http://h18000.www1.hp.com/products/quickspecs/14110_div/14110_div.html
(Worldwide)

HP Rackmountable 3 Phase Uninterruptible Power Systems (UPS R8000/3 and R12000/3)

| | |
|---|--------|
| HP R8000/3 8000kVA Three Phase NA 6U Rackmount Uninterruptible Power System | AF431A |
|---|--------|

| | |
|---|--------|
| HP R8000/3 8000kVA Three Phase INTL 6U Rackmount Uninterruptible Power System | AF432A |
|---|--------|

| | |
|--|--------|
| HP R12000/3 12000VA Three Phase NA 6U Rackmount Uninterruptible Power System | AF429A |
|--|--------|

Additional Options

HP R12000/3 12000VA Three Phase INTL 6U Rackmount Uninterruptible Power System AF430A

NOTE: Please see the QuickSpecs for additional information:

http://h18000.www1.hp.com/products/quickspecs/12857_div/12857_div.html
(Worldwide)

NOTE: For additional information on HP Uninterruptible Power Systems please go to:
www.hp.com/servers/rackups.

NOTE: For additional information on sizing your server, please reference:
<http://www.upssizer.com>.

NOTE: Please see the UPS and PDU cable matrix's on the HP Power Protection and Management page. Under Power Cords, click on the "HP Power Cord Matrix" link. That link will list cable descriptions, requirements, and specifications for UPS and PDU units. Please see the following link: www.hp.com/products/powercords.

HP Power Distribution Units**HP Monitored Power Distribution Unit: Full Rack Version**

HP 8.6kVA 24A Single Input Three Phase NA/JP Monitored Power Distribution Unit AF504A

HP 8.3kVA 40A Single Input Single Phase NA/JP Monitored Power Distribution Unit AF506A

HP 22.1kVA 16A Dual Input Three Phase INTL Monitored Power Distribution Unit AF507A

HP 11kVA 16A Single Input Three Phase INTL Monitored Power Distribution Unit AF508A

HP 14.7kVA 32A Dual Input Single Phase INTL Monitored Power Distribution Unit AF509A

HP 7.3kVA 32A Single Input Single Phase INTL Monitored Power Distribution Unit AF510A

HP Monitored Power Distribution Unit: Half Rack Version

HP 4.9kVA 24A Single Input Single Phase NA/JP Monitored Power Distribution Unit AF914A

HP 7.3kVA 32A Single Input Single Phase INTL Monitored Power Distribution Unit AF915A

NOTE: Please see the following QuickSpecs for additional information:

http://h18000.www1.hp.com/products/quickspecs/12118_div/12118_div.html
(Worldwide)

Modular Power Distribution Units 1U/0U (Up to 32 outlets)

NOTE: 1U/0U mounting brackets shipped with the unit (optimized for 10000 and 9000 series racks).

HP 2.8kVA 24A Low Voltage NA/JP Modular Power Distribution Unit 252663-D71

HP 4.9kVA 24A High Voltage NA/JP Modular Power Distribution Unit 252663-D72

HP 8.3kVA 40A High Voltage NA/JP Modular Power Distribution Unit 252663-D73

HP 7.3kVA 32A High Voltage INTL Modular Power Distribution Unit 252663-B31

HP 3.6kVA 16A High Voltage INTL Modular Power Distribution Unit 252663-B24

NOTE: This PDU has a detachable input power cord and allows for adaptability to country specific power requirements.

NOTE: Please see the following QuickSpecs for additional options including shorter jumper cables and country specific power cords:

http://h18000.www1.hp.com/products/quickspecs/11041_div/11041_div.html
(Worldwide)

NOTE: For additional information on HP Power Distribution Units including accessories please go to: www.hp.com/go/pdu.

NOTE: Please see the UPS and PDU cable matrix's on the HP Power Protection and Management page. Under Power Cords, click on the "HP Power Cord Matrix" link. That

Additional Options

link will list cable descriptions, requirements, and specifications for UPS and PDU units.
Please see the following link: www.hp.com/products/powercords.

| | | |
|---|--|--------|
| HP Intelligent Power Distribution Units (iPDU) | iPDU Core Units | |
| | HP 4.9kVA 24A Single Phase NA/JP Core Intelligent Modular Power Distribution Unit | AF520A |
| | HP 8.3kVA 40A Single Phase NA/JP Core Intelligent Modular Power Distribution Unit | AF521A |
| | HP 8.6kVA 24A Three Phase NA/JP Core Intelligent Modular Power Distribution Unit | AF522A |
| | HP 17.3kVA 48A Three Phase NA/JP Core Intelligent Modular Power Distribution Unit | AF523A |
| | HP 7.3kVA 32A Single Phase INTL Core Intelligent Modular Power Distribution Unit | AF525A |
| | HP 11kVA 16A Three Phase INTL Core Intelligent Modular Power Distribution Unit | AF526A |
| | HP 22kVA 32A Three Phase INTL Core Intelligent Modular Power Distribution Unit | AF527A |
| | HP 11.4kVA 16A 415V Three Phase L22-20 NA Core Intelligent Power Distribution Unit | AF900A |
| | HP 17.3kVA 24A 415V Three Phase L22-30 NA Core Intelligent Power Distribution Unit | AF902A |
| | HP 17.3kVA 24A 415V Three Phase IEC309 NA Core Intelligent Power Distribution Unit | AF901A |
| | HP 17.3kVA 48A 208V Three Phase 12 Outlet Core NA/JP Intelligent Power Distribution Unit | AF535A |
| | HP 17.3kVA 24A 415V Three Phase 12 Outlet Core NA/JP Intelligent Power Distribution Unit | AF537A |
| | HP 22kVA 32A 400V Three Phase 12 Outlet Core INTL Intelligent Power Distribution Unit | AF538A |
| | iPDU Extension Bars | |
| | HP 5xC13 Intelligent PDU Extension Bar G2 Kit | AF547A |
| HP 5xC13 Outlets Power and UID LEDs Pair Standard Extension Bar | AF528A | |
| NOTE: Please see the QuickSpecs for Technical Specifications and additional information: http://h18000.www1.hp.com/products/quickspecs/13650_div/13650_div.html (Worldwide) | | |

| | | |
|------------------------|--|--------|
| HP Rack Options | HP TFT7600 G2 KVM Console and Monitor (TFT7600 G2) | |
| | HP TFT7600 G2 KVM Console Rackmount Keyboard US Monitor | AZ870A |
| | HP TFT7600 G2 KVM Console Rackmount Keyboard UK Monitor | AZ871A |
| | HP TFT7600 G2 KVM Console Rackmount Keyboard DE Monitor | AZ872A |
| | HP TFT7600 G2 KVM Console Rackmount Keyboard FR Monitor | AZ873A |
| | HP TFT7600 G2 KVM Console Rackmount Keyboard IT Monitor | AZ874A |
| | HP TFT7600 G2 KVM Console Rackmount Keyboard ES Monitor | AZ875A |
| | HP TFT7600 G2 KVM Console Rackmount Keyboard DK Monitor | AZ876A |
| | HP TFT7600 G2 KVM Console Rackmount Keyboard NO Monitor | AZ877A |
| | HP TFT7600 G2 KVM Console Rackmount Keyboard SE/FI Monitor | AZ878A |
| | HP TFT7600 G2 KVM Console Rackmount Keyboard CH Monitor | AZ879A |
| | HP TFT7600 G2 KVM Console Rackmount Keyboard PT Monitor | AZ880A |
| | HP TFT7600 G2 KVM Console Rackmount Keyboard BE Monitor | AZ881A |
| | HP TFT7600 G2 KVM Console Rackmount Keyboard JP Monitor | AZ882A |

Additional Options

| | |
|---|--------|
| HP TFT7600 G2 KVM Console Rackmount Keyboard RU Monitor | AZ883A |
| HP TFT7600 G2 KVM Console Rackmount Keyboard Intl Monitor | AZ884A |
| HP TFT7600 G2 KVM Console Rackmount Keyboard US TAA Monitor | AZ885A |

NOTE: Please see the QuickSpecs for Technical Specifications and additional information:

http://h18000.www1.hp.com/products/quickspecs/13731_div/13731_div.html
(Worldwide)

| | |
|---|------------|
| HP USB BFR with PVC Free US Keyboard/Mouse Kit | 631341-B21 |
| HP USB BFR with PVC Free UK Keyboard/Mouse Kit | 631344-B21 |
| HP USB BFR with PVC Free FR Keyboard/Mouse Kit | 631346-B21 |
| HP USB BFR with PVC Free ES Keyboard/Mouse Kit | 631348-B21 |
| HP USB BFR with PVC Free DE Keyboard/Mouse Kit | 631358-B21 |
| HP USB BFR with PVC Free JP Keyboard/Mouse Kit | 631360-B21 |
| HP USB BFR with PVC Free IT Keyboard/Mouse Kit | 631362-B21 |
| HP USB BFR with PVC Free CN Keyboard/Mouse Kit | 631364-B21 |
| HP USB BFR with PVC Free AE Keyboard/Mouse Kit | 638212-B21 |
| HP USB BFR with PVC Free RU Keyboard/Mouse Kit | 638214-B21 |
| HP USB BFR with PVC Free IN Keyboard/Mouse Kit | 672097-D63 |
| HP USB BFR with PVC Free AP-Intl Keyboard/Mouse Kit | 672097-373 |
| HP USB BFR with PVC Free Intl Keyboard/Mouse Kit | 672097-B33 |
| HP USB BFR with PVC Free PT Keyboard/Mouse Kit | 672097-133 |
| HP USB BFR with PVC Free TR Keyboard/Mouse Kit | 672097-143 |
| HP USB BFR with PVC Free CZ Keyboard/Mouse Kit | 672097-223 |
| HP USB BFR with PVC Free FI Keyboard/Mouse Kit | 672097-353 |
| HP USB BFR with PVC Free SE Keyboard/Mouse Kit | 672097-103 |
| HP USB BFR with PVC Free CH Keyboard/Mouse Kit | 672097-113 |
| HP USB BFR with PVC Free KR Keyboard/Mouse Kit | 672097-KD3 |

NOTE: Please see the QuickSpecs for Technical Specifications and additional information:

http://h18000.www1.hp.com/products/quickspecs/13972_div/13972_div.html
(Worldwide)

HP Server Console Switches

| | |
|---|--------|
| HP Server Console 0x2x8 Port Analog Switch | AF616A |
| HP Server Console 0x2x16 Port Analog Switch | AF617A |
| HP TAA 0x2x16xKVM Server Console G2 Switch | AF626A |

NOTE: Please see the QuickSpecs for Technical Specifications and additional information:

http://h18000.www1.hp.com/products/quickspecs/11834_div/11834_div.html
(Worldwide)

HP Server Console Switch G2 with Virtual Media & CAC

| | |
|--|--------|
| HP 0x2x16 KVM Server Console Switch G2 with Virtual Media CAC Software | AF618A |
| HP 0x2x32 KVM Server Console Switch G2 with Virtual Media CAC Software | AF619A |

Additional Options

HP KVM CAT5 1-pack USB Interface Adapter 336047-B21

NOTE: Please see the QuickSpecs for Technical Specifications and additional information:

http://h18000.www1.hp.com/products/quickspecs/13475_div/13475_div.html
(Worldwide)

HP IP Console Switch G2 with Virtual Media & CAC

HP 1x4 USB/PS2 KVM Console Switch AF611A

HP 1x1Ex8 KVM IP Console Switch G2 with Virtual Media CAC Software AF620A

HP 2x1Ex16 KVM IP Console Switch G2 with Virtual Media CAC Software AF621A

HP 4x1Ex32 KVM IP Console Switch G2 with Virtual Media CAC Software AF622A

NOTE: Please see the QuickSpecs for Technical Specifications and additional information:

http://h18000.www1.hp.com/products/quickspecs/13474_div/13474_div.html
(Worldwide)

HP USB and SD options

HP USB 2-Button Optical Scroll Mouse DC172B

HP USB 04 Standard Keyboard DT528A#ABA

HP 4GB SD Enterprise Performance Flash Media Kit 580387-B21

NOTE: Blank SD media device is supported for use with VMware and Citrix. SD media must be installed in the internal slot of the ProLiant server. Learn more at:

<http://www.hp.com/go/proliantvirtualization>.

HP 2GB USB Flash Media Drive Key Kit 608447-B21

NOTE: HP qualified blank USB key for use with HP ProLiant servers that support the VMware virtualization environment and other HP value-add software. HP recommends this industry standard USB flash device for use with VMware ESXi. USB device must be installed in the internal slot of the ProLiant server for use with VMware ESXi. Refer to [HP VMware Getting Started Guide](#) for installation instructions.

HP Care Pack Services**Proactive Care**

NOTE: Collaborative Support plus Proactive services delivered by the onshore, local language Advanced Solution Center (ASC), end-to-end case ownership from a Technical Solution Specialists and Technical Account Manager who remotely delivers firmware/software revision management, proactive scans and incident trend reports. Recommended for customers running a virtualized infrastructure and/or customers who desire an enhanced call support experience.

HP 3 year 4 hour 24x7 ProLiant DL38x(p) Proactive Care Service U2Z50E

HP 3 year 4 hour 24x7 with Defective Media Retention ProLiant DL38x(p) Proactive Care Service U2Z53E

HP 3 year 6 hour Call To Repair 24x7 ProLiant DL38x(p) Proactive Care Service U2Z56E

HP 3 year 6 hour Call To Repair 24x7 w/Defective Media Retention ProLiant DL38x(p) Proactive Care SVC U2Z59E

HP 3 year 4 hour 24x7 ProLiant DL38x(p) with Insight Control Proactive Care Service U3N23E

HP 3 year 4hr 24x7 with Defective Media Retention DL38x(p) with Insight Control Proactive Care SVC U3N26E

Additional Options

HP 3 year 6 hour Call To Repair 24x7 ProLiant DL38x(p) with Insight Control Proactive Care Service U3N29E

HP 3yr 6hrCallToRepair 24x7w/Defective Media Retention DL38x(p) w/Insight Control Proactive Care SVC U3N32E

Collaborative Support

NOTE: Hardware break/fix plus 24x7 software diagnosis support with collaborative call management for a broad spectrum of 3rd Party software products including O/S and hypervisors. Recommended for customers procuring 3rd party SW O/S and hypervisors from the software vendors directly and deploying them on HP ProLiant servers.

HP 3 year 4 hour 24x7 ProLiant DL38x(p) Collaborative Support U1J30E

HP 3 year 4 hour 24x7 with Defective Media Retention ProLiant DL38x(p) Collaborative Support U1J33E

HP 3 year 6 hour Call To Repair 24x7 ProLiant DL38x(p) Collaborative Support U1J36E

HP 3 year 6hr Call To Repair 24x7 with Defective Media Retention ProLiant DL38x(p) Collaborative Supp U1J39E

Proactive Care Personalized Support Option

NOTE: To add an onsite Account Support Manager (ASM) to Proactive Care. ASM is an assigned resource who delivers support planning and brings technical expertise and best practices advices for the customer's environment.

HP 3yr Provides annual personalized proactive supp for existing Proactive Care ISS centric environment U6W98E

Installation Services

NOTE: Reduce the time required to get your system up and running and help minimize disruptions to your business.

HP Installation of ProLiant Add On/In Options Service UH745E

HP Install ProLiant DL38x(p) Service U4554E

HP Startup ProLiant DL38x(p) Service U4555E

HP Installation and Startup for Insight Control Server Deployment - previously Rapid Deployment Pack U5683E

NOTE: For more information, customer/resellers can contact:

<http://www.hp.com/services/carepack>

Memory

NOTE: Memory configurations listed do not apply to "Factory Integrated Models".

DDR3 memory population guidelines

For detailed memory configuration rules and guidelines, please use the Online DDR3 Memory Configuration Tool:
www.hp.com/go/ddr3memory-configurator

Some DIMM installation guidelines are summarized below:

- For servers with eighteen (18) memory slots:
 - There are three (3) channels per processor; six (6) channels per server
 - There are three (3) DIMM slots for each memory channel; eighteen (18) total slots
 - Memory channel 1 consists of the three (3) DIMMs that are closest to the processor
 - Memory channel 3 consists of the three (3) DIMMs that are furthest from the processor
- DIMM slots that are white should be populated first
- Do not mix Unbuffered memory (UDIMMs) with Registered memory (RDIMMs)
- Do not install DIMMs if the corresponding processor is not installed
- If only one processor is installed in a 2CPU system, only half of the DIMM slots are available
- To maximize performance, balance the total memory capacity between all installed processors
- It is not required, but it is recommended to load the channels similarly if possible
- If any Quad rank DIMMs are installed, all channels are limited to only 2 DIMMs per channel.
- You can only install two quad-rank DIMMs per channel
- You can only install two UDIMMs per channel; if available, the third slot in the channel must remain empty
- Populate DIMMs from heaviest load (quad-rank) to lightest load (single-rank) within a channel
- Heaviest load (DIMM with most ranks) within a channel goes furthest from the chipset
- For memory mirroring mode, channel 3 must be unpopulated. Channels 1 and 2 are populated identically
- For lock-step mode, channel 3 must be unpopulated. DIMMs in channels 1 and 2 will be installed in pairs. The paired slots will be 1,4; 2,5; 3,6 on a 3DPC system or 1,4; 2,5; on a 2DPC system
- If mixing DIMM voltage is a requirement, please note that the DIMMs will run at 1.5V since all 1.35V are capable of supporting 1.5V operations

DIMM slot/capacity/populated speed table

| DIMM Type | Registered DIMMS (RDIMMs) | | | | | | | | | Unbuffered with ECC DIMMs (UDIMMs) | | |
|------------------------------------|---------------------------|----------------|------|------|----------------|------|------|------------------|----------------|------------------------------------|------|------|
| | Single Rank (1R) | Dual Rank (2R) | | | Quad Rank (4R) | | | Single Rank (1R) | Dual Rank (2R) | | | |
| DIMM Capacity | 4GB | 2GB | 4GB | 8GB | 8GB | 16GB | 4GB | 16GB | 32GB | 1GB | 2GB | 4GB |
| DIMM Native Speed (MHz) | 1333 | 1333 | 1333 | 1066 | 1333 | 1333 | 1066 | 1066 | 1066 | 1333 | 1333 | 1333 |
| Voltage | LV/Std | Std | Std | Std | LV/Std | LV | Std | Std | LV/Std | Std | Std | Std |
| SLOTS THAT CAN BE POPULATED | | | | | | | | | | | | |
| 18 slot servers | 18 | 18 | 18 | 18 | 18 | 18 | 12 | 12 | 12 | 12 | 12 | 12 |
| MAXIMUM CAPACITY (GB) | | | | | | | | | | | | |
| | 72 | 36 | 72 | 144 | 144 | 288 | 48 | 192 | 384 | 12 | 24 | 48 |
| POPULATED DIMM SPEED (MHz) | | | | | | | | | | | | |

QuickSpecs

HP ProLiant DL380 Generation 7 (G7)

Memory

| | | | | | | | | | | | | |
|--------------------|----------------|-------|------|------|----------------|----------------|------|------|------|------|------|------|
| 1 DIMM Per Channel | 1333 | 1333 | 1333 | 1066 | 1333 | 1333 | 1066 | 1066 | 1066 | 1333 | 1333 | 1333 |
| 2 DIMM Per Channel | 1066/ 1333* | 1333 | 1333 | 1066 | 1066/ 1333* | 1066/ 1333* | 800 | 800 | 800 | 1333 | 1333 | 1333 |
| 3 DIMM Per Channel | 800** | 800** | 800 | 800 | 800** | 800** | n/a | n/a | n/a | n/a | n/a | n/a |

* 2DPC: LV runs default 1333 at 1.5V. Use RBSU Power Management option to select 1066 at 1.35V. Std runs at 1333.

** 3DPC: LV/Std voltage runs at 800

NOTES:

- Mixing DIMM speeds is allowed, but the system processor speed rules always override the DIMM capabilities
- If you do mix DIMM speeds, the memory bus will default to the minimum clock rate of all DIMMs in the system - even if the slower DIMM is on the other processor
- If you install 1x 1066MHz DIMM in channel 1 and 1x 1333MHz DIMM in channel 2, you still run at 1066MHz
- If you install 1x 1066MHz DIMM in channel 1 and 5x 1333MHz DIMMs with 1 DIMM Per Channel (DPC) in each of the other channels, you run at 1066MHz
- If you install 3DPC in one channel (if applicable) and 1DPC in all other channels, you run at 800MHz
- References to the above MHz speeds are for the various speeds of DDR3 DIMMs; 1333 refers to DDR3-1333, etc.

DIMM slot and configuration diagrams

Basic memory slot & population diagram

- Population order; start with "A" first, "B" second, "C" third, etc.

| 18 DIMM SLOTS (9 per CPU node) | | | | | |
|--------------------------------|--------|------------------|--------|------------------|--------|
| | CPU1 | | CPU2 | | |
| | slot # | population order | slot # | population order | |
| Chnl 1 | 1 | G | 1 | G | Chnl 1 |
| | 2 | D | 2 | D | |
| | 3 | A | 3 | A | |
| Chnl 2 | 4 | H | 4 | H | Chnl 2 |
| | 5 | E | 5 | E | |
| | 6 | B | 6 | B | |
| Chnl 3 | 7 | I | 7 | I | Chnl 3 |
| | 8 | F | 8 | F | |
| | 9 | C | 9 | C | |

Standard memory configuration (1 CPU model)

- 6GB, consisting of three (3) 2GB dual-rank PC3-10600 RDIMMs

QuickSpecs

HP ProLiant DL380 Generation 7 (G7)

Memory

| | CPU1 | | CPU2 | | |
|--------|--------|------------------|--------|------------------|--------|
| | slot # | population order | slot # | population order | |
| Chnl 1 | 1 | G; empty | 1 | G; empty | Chnl 1 |
| | 2 | D; empty | 2 | D; empty | |
| | 3 | A; 2GB DIMM | 3 | A; empty | |
| Chnl 2 | 4 | H; empty | 4 | H; empty | Chnl 2 |
| | 5 | E; empty | 5 | E; empty | |
| | 6 | B; 2GB DIMM | 6 | B; empty | |
| Chnl 3 | 7 | I; empty | 7 | I; empty | Chnl 3 |
| | 8 | F; empty | 8 | F; empty | |
| | 9 | C; 2GB DIMM | 9 | C; empty | |

Standard memory plus optional memory (1 CPU model)

- 54GB, consisting of three (3) 2GB RDIMMs plus six (6) 8GB RDIMMs
 - 3x 2GB dual-rank PC3-10600 RDIMMs
 - 6x 8GB dual-rank PC3-8500 RDIMMs

| | CPU1 | | CPU2 | | |
|--------|--------|------------------|--------|------------------|--------|
| | slot # | population order | slot # | population order | |
| Chnl 1 | 1 | G; 8GB DIMM | 1 | G; empty | Chnl 1 |
| | 2 | D; 8GB DIMM | 2 | D; empty | |
| | 3 | A; 2GB DIMM | 3 | A; empty | |
| Chnl 2 | 4 | H; 8GB DIMM | 4 | H; empty | Chnl 2 |
| | 5 | E; 8GB DIMM | 5 | E; empty | |
| | 6 | B; 2GB DIMM | 6 | B; empty | |
| Chnl 3 | 7 | I; 8GB DIMM | 7 | I; empty | Chnl 3 |
| | 8 | F; 8GB DIMM | 8 | F; empty | |
| | 9 | C; 2GB DIMM | 9 | C; empty | |

Standard memory replaced with optional memory (1 CPU model)

RDIMM maximum configuration (1 CPU model)

- 96GB, consisting of six (6) 16GB quad-rank PC3-8500 RDIMMs

QuickSpecs

HP ProLiant DL380 Generation 7 (G7)

Memory

| | CPU1 | | CPU2 | | |
|--------|--------|------------------|--------|------------------|--------|
| | slot # | population order | slot # | population order | |
| Chnl 1 | 1 | G; empty | 1 | G; empty | Chnl 1 |
| | 2 | D; 16GB DIMM | 2 | D; empty | |
| | 3 | A; 16GB DIMM | 3 | A; empty | |
| Chnl 2 | 4 | H; empty | 4 | H; empty | Chnl 2 |
| | 5 | E; 16GB DIMM | 5 | E; empty | |
| | 6 | B; 16GB DIMM | 6 | B; empty | |
| Chnl 3 | 7 | I; empty | 7 | I; empty | Chnl 3 |
| | 8 | F; 16GB DIMM | 8 | F; empty | |
| | 9 | C; 16GB DIMM | 9 | C; empty | |

UDIMM maximum configuration (1 CPU model)

- 12GB, consisting of six (6) 2GB dual-rank PC3-10600 UDIMMs

| | CPU1 | | CPU2 | | |
|--------|--------|------------------|--------|------------------|--------|
| | slot # | population order | slot # | population order | |
| Chnl 1 | 1 | G; empty | 1 | G; empty | Chnl 1 |
| | 2 | D; 2GB DIMM | 2 | D; empty | |
| | 3 | A; 2GB DIMM | 3 | A; empty | |
| Chnl 2 | 4 | H; empty | 4 | H; empty | Chnl 2 |
| | 5 | E; 2GB DIMM | 5 | E; empty | |
| | 6 | B; 2GB DIMM | 6 | B; empty | |
| Chnl 3 | 7 | I; empty | 7 | I; empty | Chnl 3 |
| | 8 | F; 2GB DIMM | 8 | F; empty | |
| | 9 | C; 2GB DIMM | 9 | C; empty | |

Standard memory replaced with optional memory (2 CPU model)

RDIMM maximum configuration (2 CPU model)

- 384GB, consisting of twelve (12) 32GB quad-rank PC3L-8500 RDIMMs

QuickSpecs

HP ProLiant DL380 Generation 7 (G7)

Memory

| | CPU1 | | CPU2 | | |
|--------|--------|------------------|--------|------------------|--------|
| | slot # | population order | slot # | population order | |
| Chnl 1 | 1 | G; empty | 1 | G; empty | Chnl 1 |
| | 2 | D; 32GB DIMM | 2 | D; 32GB DIMM | |
| | 3 | A; 32GB DIMM | 3 | A; 32GB DIMM | |
| Chnl 2 | 4 | H; empty | 4 | H; empty | Chnl 2 |
| | 5 | E; 32GB DIMM | 5 | E; 32GB DIMM | |
| | 6 | B; 32GB DIMM | 6 | B; 32GB DIMM | |
| Chnl 3 | 7 | I; empty | 7 | I; empty | Chnl 3 |
| | 8 | F; 32GB DIMM | 8 | F; 32GB DIMM | |
| | 9 | C; 32GB DIMM | 9 | C; 32GB DIMM | |

UDIMM maximum configuration

- 48GB, consisting of twelve (12) 4GB dual-rank PC3-10600 UDIMMs

| | CPU1 | | CPU2 | | |
|--------|--------|------------------|--------|------------------|--------|
| | slot # | population order | slot # | population order | |
| Chnl 1 | 1 | G; empty | 1 | G; empty | Chnl 1 |
| | 2 | D; 4GB DIMM | 2 | D; 4GB DIMM | |
| | 3 | A; 4GB DIMM | 3 | A; 4GB DIMM | |
| Chnl 2 | 4 | H; empty | 4 | H; empty | Chnl 2 |
| | 5 | E; 4GB DIMM | 5 | E; 4GB DIMM | |
| | 6 | B; 4GB DIMM | 6 | B; 4GB DIMM | |
| Chnl 3 | 7 | I; empty | 7 | I; empty | Chnl 3 |
| | 8 | F; 4GB DIMM | 8 | F; 4GB DIMM | |
| | 9 | C; 4GB DIMM | 9 | C; 4GB DIMM | |

NOTE: Capacity references are rounded to the common Gigabyte values.

- 1GB = 1024MB
- 2GB = 2048MB
- 4GB = 4096MB
- 8GB = 8192MB
- 16GB = 16384MB
- 32GB = 32768MB

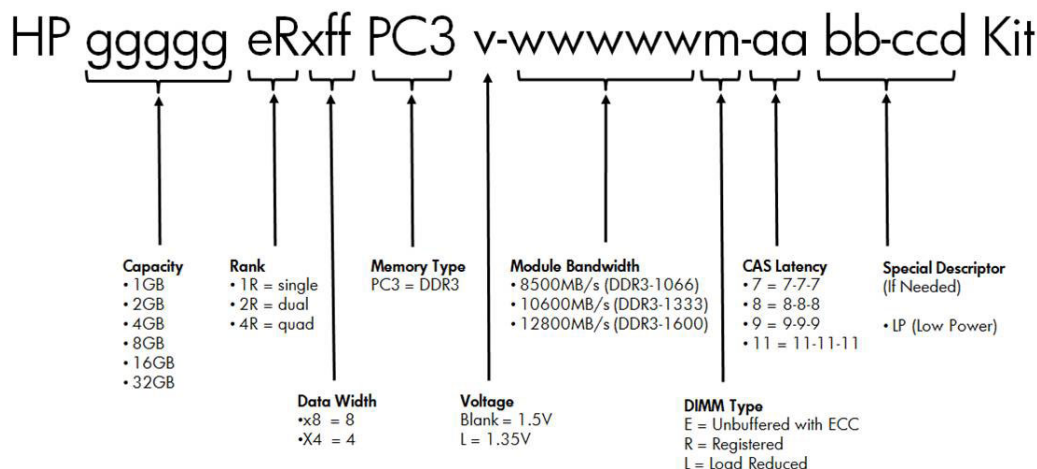
DDR3 memory options part number decoder



QuickSpecs

HP ProLiant DL380 Generation 7 (G7)

Memory



Following are memory options available from HP:

HP Memory

Registered DIMMs (RDIMMs)

| | |
|--|------------|
| HP 2GB (1x2GB) Dual Rank x8 PC3-10600 (DDR3-1333) Registered CAS-9 Memory Kit | 500656-B21 |
| HP 4GB (1x4GB) Dual Rank x4 PC3-10600 (DDR3-1333) Registered CAS-9 Memory Kit | 500658-B21 |
| HP 4GB (1x4GB) Single Rank x4 PC3-10600 (DDR3-1333) Registered CAS-9 Memory Kit | 593339-B21 |
| HP 4GB (1x4GB) Single Rank x4 PC3L-10600 (DDR3-1333) Registered CAS-9 Low Power Memory Kit | 604504-B21 |

NOTE: Low Voltage DIMMs can only be used with Intel® Xeon® processor 5600 series processors.

| | |
|--|------------|
| HP 8GB (1x8GB) Dual Rank x4 PC3-10600 (DDR3-1333) Registered CAS-9 Memory Kit | 500662-B21 |
| HP 8GB (1x8GB) Dual Rank x4 PC3L-10600 (DDR3-1333) Registered CAS-9 Low Power Memory Kit | 604506-B21 |

NOTE: Low Voltage DIMMs can only be used with Intel® Xeon® processor 5600 series processors.

| | |
|---|------------|
| HP 16GB (1x16GB) Quad Rank x4 PC3-8500 (DDR3-1066) Registered CAS-7 Memory Kit | 500666-B21 |
| HP 16GB (1x16GB) Dual Rank x4 PC3L-10600 (DDR3-1333) Registered CAS-9 LP Memory Kit | 627812-B21 |
| HP 32GB (1x32GB) Quad Rank x4 PC3L-8500 (DDR3-1066) Registered CAS-7 LP Memory Kit | 627814-B21 |

Unbuffered with ECC DIMMs (UDIMMs)

| | |
|--|------------|
| HP 1GB (1x1GB) Single Rank x8 PC3-10600 (DDR3-1333) Unbuffered CAS-9 Memory Kit | 500668-B21 |
| HP 2GB (1x2GB) Dual Rank x8 PC3-10600 (DDR3-1333) Unbuffered CAS-9 Memory Kit | 500670-B21 |
| HP 4GB (1x4GB) Dual Rank x8 PC3-10600 (DDR3-1333) Unbuffered CAS-9 Memory Kit | 500672-B21 |
| HP 4GB (1x4GB) Dual Rank x8 PC3L-10600 (DDR3-1333) Unbuffered CAS-9 Low Power Memory Kit | 619488-B21 |

NOTE: All DDR3 memory option kits consist of one DIMM per kit. For detailed memory configuration rules and guidelines, please use the Online DDR3 Memory Configuration Tool: www.hp.com/go/ddr3memory-configurator.

NOTE: Kits described as LP include Low Power DIMMs. For more information on ProLiant Energy Efficient Features, see: www.hp.com/go/proliant-energy-efficient



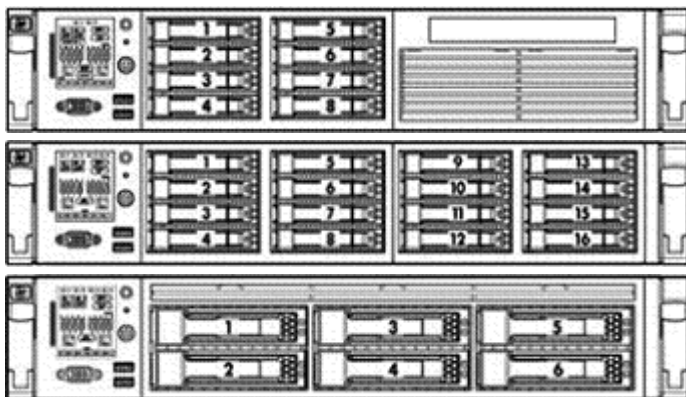
Memory

NOTE: PC3L is a low voltage memory

QuickSpecs

HP ProLiant DL380 Generation 7 (G7)

Storage



1-8 Eight SFF SAS hot plug hard drive bays

1-16 Sixteen SFF SAS hot plug hard drive bays
NOTE: This configuration does not support optical drive.

1-6 Six LFF SAS hot plug hard drive bays
NOTE: This configuration does not support optical drive.

Drive Support

| | Quantity Supported | Position Supported | Controller |
|---|--------------------------------------|--------------------|--|
| Removable Media | | | |
| HP Slim SATA DVD RW Optical Drive NOTE: Included in performance models. | Only 1 available removable media bay | Slimline bay | Integrated SATA NOTE: Optional |
| HP Slim SATA DVD-ROM Optical Drive | Only 1 available removable media bay | Slimline bay | Integrated SATA NOTE: Optional |

Hard Drives

NOTE: The components of a storage subsystem (e.g. the drive, the HBA/controller, firmware, and the server backplane) should operate at the same data transfer rate or the system bandwidth will be negotiated down to an acceptable level for all components.

NOTE: Hard drives have either a one year or three year warranty; refer to the specific hard drive QuickSpecs for details.

SAS Hot Plug SFF (2.5-inch) Enterprise (ENT) Drives

| | Quantity Supported | Position Supported | Controller |
|------------------|--|--------------------|--|
| 1.2TB 6G SAS 10K | Up to 8 | 1-8 | HP Smart Array P410/256 MB Controller |
| 900GB 6G SAS 10K | | | HP Smart Array P410/512 MB with BBWC Controller |
| 600GB 6G SAS 10K | | | HP Smart Array P410/512MB with FBWC |
| 450GB 6G SAS 10K | | | HP Smart Array P410/1G with FBWC |
| 300GB 6G SAS 10K | | | HP Smart Array P411/256MB Controller |
| 300GB 6G SAS 15K | | | HP Smart Array P411/512MB with BBWC Controller |
| 146GB 6G SAS 15K | | | HP Smart Array P411/512MB Flash Backed Write Cache |
| | | | HP Smart Array P411/1G Flash Backed Write Cache |
| | HP Smart Array P812/1G Flash Backed Cache Controller | | |

NOTE: Second SFF drive cage requires second controller or HP SAS Expander Card (PN 468406-B21).

SAS Hot Plug LFF (3.5-inch) Enterprise (ENT) Drives



QuickSpecs

HP ProLiant DL380 Generation 7 (G7)

Storage

| | Quantity Supported | Position Supported | Controller |
|------------------|--------------------|--------------------|--|
| 600GB 6G SAS 15K | Up to 6 | 1-6 | HP Smart Array P410/256 MB Controller |
| 450GB 6G SAS 15K | | | HP Smart Array P410/512 MB with BBWC Controller |
| 300GB 6G SAS 15K | | | HP Smart Array P410/512MB with FBWC |
| | | | HP Smart Array P410/1G with FBWC |
| | | | HP Smart Array P411/256MB Controller |
| | | | HP Smart Array P411/512MB with BBWC Controller |
| | | | HP Smart Array P411/512MB Flash Backed Write Cache |
| | | | HP Smart Array P411/1G Flash Backed Write Cache |
| | | | HP Smart Array P812/1G Flash Backed Cache Controller |

SAS Hot Plug SFF (2.5-inch) Midline (MDL) Drives

| | Quantity Supported | Position Supported | Controller |
|-------------------|--------------------|--------------------|--|
| 1TB 6G SAS 7.2K | Up to 8 | 1-8 | HP Smart Array P410/256 MB Controller |
| 500GB 6G SAS 7.2K | | | HP Smart Array P410/512 MB with BBWC Controller |
| | | | HP Smart Array P410/512MB with FBWC |
| | | | HP Smart Array P410/1G with FBWC |
| | | | HP Smart Array P411/256MB Controller |
| | | | HP Smart Array P411/512MB with BBWC Controller |
| | | | HP Smart Array P411/512MB Flash Backed Write Cache |
| | | | HP Smart Array P411/1G Flash Backed Write Cache |
| | | | HP Smart Array P812/1G Flash Backed Cache Controller |

SAS Hot Plug LFF (3.5-inch) Midline (MDL) Drives

| | Quantity Supported | Position Supported | Controller |
|-----------------|--------------------|--------------------|--|
| 3TB 6G SAS 7.2K | Up to 6 | 1-6 | HP Smart Array P410/256 MB Controller |
| 2TB 6G SAS 7.2K | | | HP Smart Array P410/512 MB with BBWC Controller |
| 1TB 6G SAS 7.2K | | | HP Smart Array P410/512MB with FBWC |
| | | | HP Smart Array P410/1G with FBWC |
| | | | HP Smart Array P411/256MB Controller |
| | | | HP Smart Array P411/512MB with BBWC Controller |
| | | | HP Smart Array P411/512MB Flash Backed Write Cache |
| | | | HP Smart Array P411/1G Flash Backed Write Cache |
| | | | HP Smart Array P812/1G Flash Backed Cache Controller |

SATA Hot Plug SFF (2.5-inch) Midline (MDL) Drives

| | Quantity Supported | Position Supported | Controller |
|------------------------|--------------------|--------------------|--|
| 1TB 3G SATA 7.2K 500GB | Up to 8 | 1-8 | HP Smart Array P410/256 MB Controller |
| 3G SATA 7.2K | | | HP Smart Array P410/512 MB with BBWC Controller |
| | | | HP Smart Array P410/512MB with FBWC |
| | | | HP Smart Array P410/1G with FBWC |
| | | | HP Smart Array P411/256MB Controller |
| | | | HP Smart Array P411/512MB with BBWC Controller |
| | | | HP Smart Array P411/512MB Flash Backed Write Cache |
| | | | HP Smart Array P411/1G Flash Backed Write Cache |
| | | | HP Smart Array P812/1G Flash Backed Cache Controller |



Storage

SATA Hot Plug LFF (3.5-inch) Midline (MDL) Drives

| | Quantity Supported | Position Supported | Controller |
|--------------------|---------------------------|---------------------------|--|
| 4TB 3G SATA 7.2K | Up to 6 | 1-6 | HP Smart Array P410/256 MB Controller |
| 3TB 3G SATA 7.2K | | | HP Smart Array P410/512 MB with BBWC Controller |
| 2TB 3G SATA 7.2K | | | HP Smart Array P410/512MB with FBWC |
| 1TB 3G SATA 7.2K | | | HP Smart Array P410/1G with FBWC |
| 500GB 3G SATA 7.2K | | | HP Smart Array P411/256MB Controller |
| | | | HP Smart Array P411/512MB with BBWC Controller |
| | | | HP Smart Array P411/512MB Flash Backed Write Cache |
| | | | HP Smart Array P411/1G Flash Backed Write Cache |
| | | | HP Smart Array P812/1G Flash Backed Cache Controller |

SATA Hot Plug LFF (3.5-inch) Entry (ETY) Drives

| | Quantity Supported | Position Supported | Controller |
|--------------------|---------------------------|---------------------------|--|
| 250GB 3G SATA 7.2K | Up to 6 | 1-6 | HP Smart Array P410/256 MB Controller |
| | | | HP Smart Array P410/512 MB with BBWC Controller |
| | | | HP Smart Array P410/512MB with FBWC |
| | | | HP Smart Array P410/1G with FBWC |
| | | | HP Smart Array P411/256MB Controller |
| | | | HP Smart Array P411/512MB with BBWC Controller |
| | | | HP Smart Array P411/512MB Flash Backed Write Cache |
| | | | HP Smart Array P411/1G Flash Backed Write Cache |
| | | | HP Smart Array P812/1G Flash Backed Cache Controller |

SATA Hot Plug 2.5" Enterprise Mainstream Solid State Drives

| | Quantity Supported | Position Supported | Controller |
|-----------------|---------------------------|---------------------------|--|
| 400GB 3.0G SATA | Up to 8 | 1-8 | HP Smart Array P410/256 MB Controller |
| 200GB 3.0G SATA | | | HP Smart Array P410/512 MB with BBWC Controller |
| 100GB 3.0G SATA | | | HP Smart Array P410/512MB with FBWC |
| | | | HP Smart Array P410/1G with FBWC |
| | | | HP Smart Array P411/256MB Controller |
| | | | HP Smart Array P411/512MB with BBWC Controller |
| | | | HP Smart Array P411/512MB Flash Backed Write Cache |
| | | | HP Smart Array P411/1G Flash Backed Write Cache |
| | | | HP Smart Array P812/1G Flash Backed Cache Controller |

SATA Hot Plug 3.5" Midline (MDL) Solid State Drives

| | Quantity Supported | Position Supported | Controller |
|-----------------|---------------------------|---------------------------|--|
| 400GB 3.0G SATA | Up to 6 | 1-6 | HP Smart Array P410/256 MB Controller |
| 200GB 3.0G SATA | | | HP Smart Array P410/512 MB with BBWC Controller |
| 120GB 3.0G SATA | | | HP Smart Array P410/512MB with FBWC |
| 100GB 3.0G SATA | | | HP Smart Array P410/1G with FBWC |
| 60GB 3.0G SATA | | | HP Smart Array P411/256MB Controller |
| | | | HP Smart Array P411/512MB with BBWC Controller |
| | | | HP Smart Array P411/512MB Flash Backed Write Cache |
| | | | HP Smart Array P411/1G Flash Backed Write Cache |

QuickSpecs

HP ProLiant DL380 Generation 7 (G7)

Storage

HP Smart Array P812/1G Flash Backed Cache Controller

6G SAS Hot Plug Enterprise Performance Solid State Drives

| | Quantity Supported | Position Supported | Controller |
|----------------------|--------------------|--------------------|--|
| 200GB 6G SAS SLC SFF | Up to 8 | 1-8 | HP Smart Array P410/256 MB Controller |
| 400GB 6G SAS SLC SFF | | | HP Smart Array P410/512 MB with BBWC Controller |
| | | | HP Smart Array P410/512MB with FBWC |
| | | | HP Smart Array P410/1G with FBWC |
| | | | HP Smart Array P411/256MB Controller |
| | | | HP Smart Array P411/512MB with BBWC Controller |
| | | | HP Smart Array P411/512MB Flash Backed Write Cache |
| | | | HP Smart Array P411/1G Flash Backed Write Cache |
| | | | HP Smart Array P812/1G Flash Backed Cache Controller |

6G SAS Hot Plug Enterprise Mainstream Solid State Drives

| | Quantity Supported | Position Supported | Controller |
|----------------------|--------------------|--------------------|--|
| 800GB 6G SAS MLC SFF | Up to 8 | 1-8 | HP Smart Array P410/256 MB Controller |
| 400GB 6G SAS MLC SFF | | | HP Smart Array P410/512 MB with BBWC Controller |
| 200GB 6G SAS MLC SFF | | | HP Smart Array P410/512MB with FBWC |
| | | | HP Smart Array P410/1G with FBWC |
| | | | HP Smart Array P411/256MB Controller |
| | | | HP Smart Array P411/512MB with BBWC Controller |
| | | | HP Smart Array P411/512MB Flash Backed Write Cache |
| | | | HP Smart Array P411/1G Flash Backed Write Cache |
| | | | HP Smart Array P812/1G Flash Backed Cache Controller |

External Storage

| | Quantity Supported | Position Supported | Host Controller or Adapter |
|----------------------|--------------------|--------------------|--|
| D2600 Disk Enclosure | Up to 8 | External | HP Smart Array P411/256 MB Controller |
| | | | HP Smart Array P411/512 MB Controller |
| | | | HP Smart Array P411/1G Flash Backed Cache Controller |
| | | | HP Smart Array P812/1G Flash Backed Cache Controller |
| D2700 Disk Enclosure | Up to 4 | External | HP Smart Array P411/256 MB Controller |
| | | | HP Smart Array P411/512 MB BBWC Controller |
| | | | HP Smart Array P411/1G Flash Backed Cache Controller |
| | | | HP Smart Array P812/1G Flash Backed Cache Controller |

Storage

Maximum Storage Capacity - (with D2700, DL380 G7 SFF SAS HDD)

| | |
|----------|--|
| Internal | 19.2TB (16 x 1.2TB SAS SFF with addition 8 SFF drive cage) |
| External | 120TB (100 x 1.2TB SAS SFF) |
| Total | 139.2TB |

Maximum Storage Capacity - (with D2700, DL380 G7 LFF SATA HDD)

| | |
|----------|-----------------------------|
| Internal | 24TB (16 x 4TB SATA LFF) |
| External | 120TB (100 x 1.2TB SAS SFF) |
| Total | 144TB |

Tape and Disk Backup

NOTE: For the complete range of tape drives, autoloaders, libraries and media, including the internal fitting models, see: <http://www.hp.com/go/tape>. For the complete range of D2D Backup Systems see: <http://www.hp.com/go/d2d>. For the complete range of RDX drives and media see: <http://www.hp.com/go/rdx>. For hardware and software compatibility of HP disk and tape backup products see: <http://www.hp.com/storage/SPOCK>.

| | Position Supported | Controller | Part Number |
|--------------------------------------|--------------------|---|-------------|
| HP SCSI Tape Drives, External | External | HP SC11Xe Ultra320 Single Channel/ PCIe x4 SCSI Host Bus Adapter | 412911-B21 |
| LTO-1 Ultrium 232 | | | |
| LTO-2 Ultrium 448 | | | |
| LTO-3 Ultrium 920 | | | |
| LTO-3 Ultrium 960 | | | |
| LTO4 Ultrium 1760 | | | |
| LTO-4 Ultrium 1840 | | | |
| DAT 40 | | | |
| DAT 72 | | | |
| DAT 160 | | | |
| 1U Rack-Mount Kit | | | |
| 3U Rack-Mount Kit | | | |
| HP USB Tape Drives, External | External | USB 2.0 Port | N/A |
| DAT 40 | | | |
| DAT 72 | | | |
| DAT 160 | | | |
| DAT 320 | | | |
| 1U USB Rack-Mount Kit | | | |
| HP SAS Tape Drives, External | External | HP Smart Array P212/ZM 1-ports Int/1-ports Ext PCIe x8 SAS Controller | 462828-B21 |
| DAT 160 | | | |
| DAT 320 | | | |
| LTO-2 Ultrium 448 | | | |
| LTO-3 Ultrium 920 | | | |

NOTE: Please check the full compatibility information at: <http://www.hp.com/storage/SPOCK>

Storage

LTO-4 Ultrium 1760
 LTO-4 Ultrium 1840
 LTO-5 Ultrium 3000
 LTO-5 Ultrium 3280
 1U Rack-Mount Kit
 3U Rack-Mount Kit

| | | | |
|---|----------|--|------------|
| HP SAS Tape Drives, External DAT 160 DAT 320 LTO-2 Ultrium 448 LTO-3 Ultrium 920 LTO-4 Ultrium 1760 LTO-4 Ultrium 1840 LTO-5 Ultrium 3000 LTO-5 Ultrium 3280 1U Rack-Mount Kit 3U Rack-Mount Kit | External | HP SC11Xe Ultra320 Single Channel/ PCIe x4 SCSI Host Bus Adapter | 412911-B21 |
|---|----------|--|------------|

| | | | |
|---|----------|---|--------|
| HP SCSI Tape Libraries, External MSL2024 MSL4048 MSL8096 MSL6000 | External | HP U320e SCSI Dual Channel Host Bus Adapter | AH627A |
|---|----------|---|--------|

NOTE: Please check the full compatibility information at: <http://www.hp.com/storage/SPOCK>

| | | | |
|--|----------|---|------------|
| HP SAS Tape Autoloaders and Libraries, External 1/8 G2 Autoloader MSL2024 MSL4048 MSL8096 | External | HP Smart Array P212/ZM 1-ports Int/1-ports Ext PCIe x8 SAS Controller | 462828-B21 |
|--|----------|---|------------|

NOTE: Please check the full compatibility information at: <http://www.hp.com/storage/SPOCK>

| | | | |
|--|----------|--|-----|
| HP Fibre Channel Tape Libraries, External MSL2024 MSL4048 MSL8096 MSL6000 | External | Please consult the EBS connectivity matrix at: http://www.hp.com/go/ebs for connectivity information and the supported Fibre Channel HBAs shown in this QuickSpecs. | N/A |
|--|----------|--|-----|

| | | | |
|--|----------|--------------|-----|
| HP USB RDX Removable Disk Backup System, External RDX160 RDX320 RDX500 RDX750 | External | USB 2.0 port | N/A |
|--|----------|--------------|-----|



QuickSpecs

HP ProLiant DL380 Generation 7 (G7)

Storage

RDX1TB

| | | | |
|---|------------|---|-----|
| HP D2D Backup Systems, iSCSI D2D2500i D2D4000i | Rack Mount | Embedded Network Controller. If the server requires a hardware iSCSI initiator, the QLogic QLA4050 Host Bus Adapter is recommended. | N/A |
| HP D2D Backup Systems, Fibre Channel D2D4000fc | Rack Mount | Direct server attach is not supported, requires connection via SAN fabric. See: http://www.hp.com/storage/SPOCK | N/A |

QuickSpecs

HP ProLiant DL380 Generation 7 (G7)

Power Specifications

| HP 460W Common Slot Gold Hot Plug Power Supply Kit | | | | | | | |
|---|------------|------------|------------|------------|------------|------------|------------|
| Part Number | 503296-B21 | | | | | | |
| Input Voltage Range (V rms) | 100 to 240 | | | | | | |
| Frequency Range (Nominal) (Hz) | 50/60 | | | | | | |
| Nominal Input Voltage (Vrms) | 100 | 120 | 200 | 208 | 220 | 230 | 240 |
| Maximum Rated Output Wattage Rating | 460 | 460 | 460 | 460 | 460 | 460 | 460 |
| Nominal Input Current (A rms) | 5.5 | 4.5 | 2.6 | 2.5 | 2.4 | 2.3 | 2.2 |
| Maximum Rated Input Wattage Rating (Watts) | 526 | 520 | 505 | 505 | 503 | 503 | 503 |
| Maximum Rated VA (Volt-Amp) | 548 | 542 | 527 | 527 | 524 | 524 | 524 |
| Efficiency (%) | 87.5 | 88.5 | 91 | 91 | 91.5 | 91.5 | 91.5 |
| Power Factor | 0.97 | | | | | | |
| Leakage Current (mA) | 0.42 | 0.50 | 0.83 | 0.87 | 0.92 | 0.96 | 1.00 |
| Maximum Inrush Current (A peak) | 30 | | | | | | |
| Maximum Inrush Current duration (mS) | 20 | | | | | | |
| Maximum British Thermal Unit Rating (BTU-Hr) | 1794 | 1773 | 1725 | 1725 | 1715 | 1715 | 1715 |

| HP 460W Common Slot Platinum Hot Plug Power Supply Kit | | | | | | | |
|---|------------|------------|------------|------------|------------|------------|------------|
| Part Number | 593188-B21 | | | | | | |
| Input Voltage Range (V rms) | 100 to 240 | | | | | | |
| Frequency Range (Nominal) (Hz) | 50/60 | | | | | | |
| Nominal Input Voltage (Vrms) | 100 | 120 | 200 | 208 | 220 | 230 | 240 |
| Maximum Rated Output Wattage Rating | 460 | 460 | 460 | 460 | 460 | 460 | 460 |
| Nominal Input Current (A rms) | 5.3 | 4.3 | 2.5 | 2.4 | 2.3 | 2.2 | 2.1 |
| Maximum Rated Input Wattage Rating (Watts) | 512 | 505 | 493 | 493 | 492 | 492 | 491 |
| Maximum Rated VA (Volt-Amp) | 526 | 518 | 506 | 506 | 505 | 505 | 504 |
| Efficiency (%) | 89.8 | 91.2 | 93.2 | 93.3 | 93.5 | 93.6 | 93.6 |
| Power Factor | 0.985 | | | | | | |
| Leakage Current (mA) | 0.42 | 0.50 | 0.83 | 0.87 | 0.92 | 0.96 | 1.00 |
| Maximum Inrush Current (A peak) | 30 | | | | | | |
| Maximum Inrush Current duration (mS) | 20 | | | | | | |
| Maximum British Thermal Unit Rating (BTU-Hr) | 1747 | 1722 | 1683 | 1682 | 1679 | 1678 | 1677 |

QuickSpecs

HP ProLiant DL380 Generation 7 (G7)

Power Specifications

| HP 750W Common Slot Gold Hot Plug Power Supply Kit | | | | | | | |
|---|------------|------------|------------|------------|------------|------------|------------|
| Part Number | 512327-B21 | | | | | | |
| Input Voltage Range (V rms) | 100 to 240 | | | | | | |
| Frequency Range (Nominal) (Hz) | 50/60 | | | | | | |
| Nominal Input Voltage (Vrms) | 100 | 120 | 200 | 208 | 220 | 230 | 240 |
| Maximum Rated Output Wattage Rating | 750 | 750 | 750 | 750 | 750 | 750 | 750 |
| Nominal Input Current (A rms) | 8.9 | 7.4 | 4.3 | 4.1 | 3.9 | 3.7 | 3.6 |
| Maximum Rated Input Wattage Rating (Watts) | 857 | 847 | 824 | 824 | 820 | 820 | 820 |
| Maximum Rated VA (Volt-Amp) | 894 | 884 | 859 | 854 | 854 | 854 | |
| Efficiency (%) | 87.5 | 88.5 | 91 | 91 | 91.5 | 91.5 | 91.5 |
| Power Factor | 0.97 | | | | | | |
| Leakage Current (mA) | 0.42 | 0.50 | 0.83 | 0.87 | 0.92 | 0.96 | 1.00 |
| Maximum Inrush Current (A peak) | 30 | | | | | | |
| Maximum Inrush Current duration (mS) | 20 | | | | | | |
| Maximum British Thermal Unit Rating (BTU-Hr) | 2925 | 2892 | 2812 | 2812 | 2797 | 2797 | 2797 |

| HP 750W Common Slot Platinum Hot Plug Power Supply Kit | | | | | | | |
|---|------------|------------|------------|------------|------------|------------|------------|
| Part Number | 593831-B21 | | | | | | |
| Input Voltage Range (V rms) | 100 to 240 | | | | | | |
| Frequency Range (Nominal) (Hz) | 50/60 | | | | | | |
| Nominal Input Voltage (Vrms) | 100 | 120 | 200 | 208 | 220 | 230 | 240 |
| Maximum Rated Output Wattage Rating | 750 | 750 | 750 | 750 | 750 | 750 | 750 |
| Nominal Input Current (A rms) | 8.6 | 7.1 | 4.2 | 4.0 | 3.8 | 3.6 | 3.4 |
| Maximum Rated Input Wattage Rating (Watts) | 841 | 828 | 809 | 808 | 807 | 806 | 805 |
| Maximum Rated VA (Volt-Amp) | 863 | 850 | 830 | 829 | 828 | 827 | 826 |
| Efficiency (%) | 89.2 | 90.6 | 92.7 | 92.8 | 93 | 93.1 | 93.2 |
| Power Factor | 0.985 | | | | | | |
| Leakage Current (mA) | 0.42 | 0.50 | 0.83 | 0.87 | 0.92 | 0.96 | 1.00 |
| Maximum Inrush Current (A peak) | 30 | | | | | | |
| Maximum Inrush Current duration (mS) | 20 | | | | | | |
| Maximum British Thermal Unit Rating (BTU-Hr) | 2868 | 2825 | 2761 | 2757 | 2753 | 2749 | 2747 |

QuickSpecs

HP ProLiant DL380 Generation 7 (G7)

Power Specifications

| HP 1200W Common Slot Platinum Hot Plug Power Supply Kit | | | | | | | |
|---|------------|------------|------------|------------|------------|------------|------------|
| Part Number | 578322-B21 | | | | | | |
| Input Voltage Range (V rms) | 100 to 240 | | | | | | |
| Frequency Range (Nominal) (Hz) | 50/60 | | | | | | |
| Nominal Input Voltage (Vrms) | 100 | 120 | 200 | 208 | 220 | 230 | 240 |
| Maximum Rated Output Wattage Rating | 800 | 900 | 1200 | 1200 | 1200 | 1200 | 1200 |
| Nominal Input Current (A rms) | 9.3 | 8.6 | 6.7 | 6.5 | 6.1 | 5.8 | 5.6 |
| Maximum Rated Input Wattage Rating (Watts) | 889 | 989 | 1290 | 1290 | 1290 | 1290 | 1290 |
| Maximum Rated VA (Volt-Amp) | 927 | 1031 | 1345 | 1345 | 1345 | 1345 | 1345 |
| Efficiency (%) | 90 | 91 | 93 | 93 | 93 | 93 | 93 |
| Power Factor | 0.97 | | | | | | |
| Leakage Current (mA) | 0.42 | 0.50 | 0.83 | 0.87 | 0.92 | 0.96 | 1.00 |
| Maximum Inrush Current (A peak) | 30 | | | | | | |
| Maximum Inrush Current duration (mS) | 20 | | | | | | |
| Maximum British Thermal Unit Rating (BTU-Hr) | 3033 | 3375 | 4403 | 4403 | 4403 | 4403 | 4403 |

| HP 1200W Common Slot -48VDC Hot Plug Power Supply Kit | | | |
|---|------------|-----------|-----------|
| Part Number | 437573-B21 | | |
| Input Voltage Range (V rms) | 36-72 | | |
| Frequency Range (Nominal) (Hz) | DC | | |
| Nominal Input Voltage (Vrms) | 36 | 48 | 72 |
| Maximum Rated Output Wattage Rating | 1200 | 1200 | 1200 |
| Nominal Input Current (A rms) | 38 | 28 | 19 |
| Maximum Rated Input Wattage Rating (Watts) | 1380 | 1350 | 1365 |
| Maximum Rated VA (Volt-Amp) | 1380 | 1350 | 1365 |
| Efficiency (%) | 87 | 89 | 88 |
| Power Factor | N/A | | |
| Leakage Current (mA) | N/A | | |
| Maximum Inrush Current (A peak) | 20 | 25 | 35 |
| Maximum Inrush Current duration (mS) | 1 | 1 | 3 |
| Maximum British Thermal Unit Rating (BTU-Hr) | 4713 | 4610 | 4662 |

NOTES: To review typical system power ratings use the HP Power Advisor which is available online located at url: www.hp.com/go/proliant-energy-efficient or www.hp.com/go/hppoweradvisor

QuickSpecs

HP ProLiant DL380 Generation 7 (G7)

Technical Specifications

| | | | |
|--------------------|--|---|--|
| System Unit | Dimensions (H x W x D) (with bezel) | SFF Drives: 3.38 x 17.54 x 27.25 in (8.59 x 44.55 x 69.22 cm) LFF Drives: 3.38 x 17.54 x 29.25 in (8.59 x 44.55 x 74.30 cm) | |
| | Weight (approximate) | Maximum (all hard drives, power supply, and processor installed) | 60.00 lb (27.27 kg) |
| | | Minimum (one hard drive, power supply, and processor installed) | 47.18 lb (21.45 kg) |
| | Input Requirements (per power supply) | Rated Line Voltage | 100 to 120 VAC 200 to 240 VAC |
| | | Rated Input Current | For 1200 W Power Supply: 10 A (at 100 VAC), 4.9 A (at 200 VAC) For 750 W Power Supply: 8.9 A (at 100 VAC), 4.3 A (at 200 VAC) For 460 W Power Supply: 5.5 A (at 100 VAC), 2.6 A (at 200 VAC) |
| | | Rated Input Frequency | 50 to 60 Hz |
| | | Rated Input Power | For 1200 W Power Supply: 930 W (at 100 VAC), 1348 W (at 200 VAC) For 750 W Power Supply: 857 W (at 100 VAC), 824 W (at 200 VAC) For 460 W Power Supply: 526 W (at 100 VAC), 505 W (at 200 VAC) |
| | | BTU Rating | Maximum |
| | Power Specifications | NOTE: To review typical system power ratings use the HP Power Advisor which is available online located at url: www.hp.com/go/proliant-energy-efficient or www.hp.com/go/hppoweradvisor | |
| | Power Supply Output (per power supply) | Rated Steady-State Power | For 1200 W Power Supply: 800 W (at 100 VAC), 900 W (at 120 VAC), 1200 W (at 200 to 240 VAC) For 750 W Power Supply: |

Technical Specifications

| | | |
|---|--|--|
| | | 750 W (at 100 to 120 VAC), 750 W (at 200 to 240 VAC) For 460 W Power Supply: 460 W (at 100 to 120 VAC), 460 W (at 200 to 240 VAC) |
| | Maximum Peak Power | For 1200 W Power Supply: 800 W (at 100 VAC), 900 W (at 120 VAC), 1200 W (at 200 to 240 VAC) For 750 W Power Supply: 750 W (at 100 to 120 VAC), 750 W (at 200 to 240 VAC) For 460 W Power Supply: 460 W (at 100 to 120 VAC), 460 W (at 200 to 240 VAC) |
| System Inlet Temperature | Operating | 10° to 35°C (50° to 95°F) at sea level with an altitude derating of 1.0°C per every 305 m (1.8°F per every 1000 ft) above sea level to a maximum of 3050 m (10,000 ft), no direct sustained sunlight. Maximum rate of change is 10°C/hr (18°F/hr). The upper limit may be limited by the type and number of options installed. System performance may be reduced if operating with a fan fault or above 30°C (86°F). |
| | Non-operating | -30° to 60°C (-22° to 140°F). Maximum rate of change is 20°C/hr (36°F/hr). |
| Relative Humidity (non-condensing) | Operating | 10 to 90% relative humidity (Rh), 28°C (82.4°F) maximum wet bulb temperature, non-condensing. |
| | Non-operating | 5 to 95% relative humidity (Rh), 38.7°C (101.7°F) maximum wet bulb temperature, non-condensing. |
| Altitude | Operating | 3050 m (10,000 ft). This value may be limited by the type and number of options installed. Maximum allowable altitude change rate is 457 m/min (1500 ft/min). |
| | Non-operating | 9144 m (30,000 ft). Maximum allowable altitude change rate is 457 m/min (1500 ft/min). |
| Acoustic Noise | Listed are the declared A-Weighted sound power levels (LWAd) and declared average bystander position A-Weighted sound pressure levels (LpAm) when the product is operating in a 23°C ambient environment. Noise emissions were measured in accordance with ISO 7779 (ECMA 74) and declared in accordance with ISO 9296 (ECMA 109). | |
| | NOTE: The Listed sound levels apply to standard shipping configurations. Additional options may result in increased sound levels. | |
| | Idle | 1P SKU 2P SKU |
| | LWAd | 4.1 B 4.7 B |
| | LpAm | 22 dBA 28 dBA |

Technical Specifications

| | Operating | 1P SKU | 2P SKU |
|---------------------------------------|---------------------|---|--------|
| | LWAd | 4.1 B | 4.7 B |
| | LpAm | 22 dBA | 28 dBA |
| Emissions Classification (EMC) | FCC Rating | Class A | |
| | Normative Standards | CISPR 22; EN55022; EN55024; FCC CFR 47, Pt 15; ICES-003; CNS13438; GB9254; K22;K24; EN 61000-3-2; EN 61000-3-3; EN 60950-1; IEC 60950-1 | |

NOTE: Product conformance to cited product specifications is based on sample (type) testing, evaluation, or assessment. This product or family of products is eligible to bear the appropriate compliance logos and statements.

NOTE: The Listed sound levels apply to standard shipping configurations. Additional options may result in increased sound levels.

Integrated Lights-Out 3 (iLO 3) integrated on system board

| | |
|---------------------------------|--|
| Architecture | PCI Express based health and remote management ASIC |
| Processor | PCI Express RISC processor core running at 250MHz |
| Upgradeability | Option firmware upgradeable via Flash ROM |
| Video Support | 1600 x 1200 DVR max resolution |
| Interfaces | One Ethernet Sideband connection (10/100/1000 Mb/s) One Ethernet network connection (10/100Mb/s) |
| Memory | 128-MB DDR with ECC |
| Operating System Support | Microsoft Windows 2008 R2 Microsoft Windows 2008 (32 bit and 64 bit) Microsoft Windows Server 2008 Standard Edition (32 bit and 64 bit) Microsoft Windows Server 2008 Enterprise Edition (32 bit and 64 bit) Microsoft Windows Server 2003 and Windows Server 2003 R2, and Windows Server 2003 for Embedded Systems Standard Edition, Enterprise Edition Red Hat Enterprise Linux 5.4 (32 bit and 64 bit) SUSE LINUX Enterprise Server 11 (32 bit and 64 bit) SUSE LINUX Enterprise Server 10 (32 bit and 64 bit) VMware ESX 4.0 VMware ESX 3.5.0 Microsoft Windows 7 Microsoft Windows XP Professional Edition Microsoft Windows Vista Business and Ultimate Editions |
| Client System Support | Red Hat Enterprise Desktop 5.00 SUSE Linux Enterprise Desktop 11 SUSE Linux Enterprise Desktop 10 Microsoft Internet Explorer 8 Microsoft Internet Explorer 7 |

Technical Specifications

| | |
|---------------------------------------|--|
| Client Browser Support | Microsoft Internet Explorer 6 Firefox 3.5 (on supported Windows and Linux systems) Firefox 3.0 (on supported Windows and Linux systems) |
| Command Line Support | Secure Shell and serial port access |
| Security | Secure Socket Layer Secure Shell version 2 Advanced Encryption Standard (AES) and Triple Data Encryption Standard (3DES) on browser, CLP and XML scripting interface AES encryption of video RC4 encryption of video |
| Directory Support Services | Active Directory v1.0 (Windows 2003) |
| Driver Support | HP ProLiant iLO3 Management Controller Driver Package |
| Management protocols supported | SNMP, IPMI 2.0 (system and LAN interface), DMTF Systems Management Architecture for Server Hardware Command Line Protocol (SMASH CLP), HP RIBCL XML |

Smart Array P410i Controller

| | |
|---|--|
| Dimensions | Embedded |
| Disk Drive and Enclosure Interface - transfer rate | 6Gb/s SAS (Serial Attached SCSI) 3Gb/s SATA (Serial ATA) |
| SAS Connectors | 2 internal 4X connectors |
| Cache Memory Speed | DDR2-800MHz with 40 or 72-bit wide bus |
| Server Interface | x4 PCIe 2.0 provides 4GB/s maximum bandwidth |
| SAS Speed | 8 6Gb/s SAS links provide 4.8GB/s maximum bandwidth |
| Cache Memory | Zero Memory RAID has no cache memory 40-bit 256MB ECC protected cache (battery upgrade available) 72-bit 512MB BBWC or 72-bit 512MB and 1G FBWC Zero Memory, Up to 2 logical volumes (8 physical drives) |
| Logical Drives Supported | Up to 64 logical drives with cache |
| Host Memory Addressing | 64-bit, supporting greater than 4GB server memory space |
| RAID Support | RAID 6, 6+0 (Advanced Data Guarding) NOTE: RAID 6, 6+0 can be enabled with one of the following combinations: <ul style="list-style-type: none"> • 256 MB cache, Battery kit and Smart Array Advanced Pack License key option upgrades • 512 MB BBWC/FBWC and Smart Array Advanced Pack License key option upgrades • 1G FBWC and Smart Array Advanced Pack License key option upgrades RAID 5, 5+0 (Distributed Data Guarding) NOTE: A minimum of 256 MB cache is required to enable RAID 5, 5+0 support RAID 1+0 (Striping & Mirroring) RAID 0 (Striping), RAID 1 (Mirroring) |

Technical Specifications

| | | | |
|--|------------------------------|--|---------|
| Two HP NC382i Dual Port Multifunction Gigabit Server Adapters | Network Interface | 10Base-T/100Base-TX/1000Base-TX | |
| | Compatibility | EEE 802.3 10Base-T | |
| | | IEEE 802.3ab 1000Base-T | |
| | | IEEE 802.3u 100Base-TX | |
| | | IEEE 802.3ad 1000Base-TX | |
| | | IEEE 802.1p 100Base-TX | |
| | | IEEE 802.1q 100Base-TX | |
| | Data Transfer Method | PCI Express, four lanes (x4) | |
| | Controller | BCM5709C | |
| | Network Transfer Rate | 10Base-T (Half-Duplex) | 10 Mb/s |
| 10Base-T (Full-Duplex) | | 20 Mb/s | |
| 100Base-TX (Half-Duplex) | | 100 Mb/s | |
| 100Base-TX (Full-Duplex) | | 200 Mb/s | |
| 1000Base-TX (Half and Full-Duplex) | | 2000Mb/s | |
| Connector | Two RJ-45 | | |
| Cable Support | 10Base-T | Categories 3, 4 or 5 UTP; up to 328 ft (100 m) | |
| | 100Base-TX | Category 5 or higher UTP; up to 328 ft (100 m) | |
| | 1000BaseTX | Category 5 or higher UTP; up to 328 ft (100 m) | |

| | | |
|---|---|--|
| Environment-friendly Products and Approach | End-of-life Management and Recycling | Hewlett-Packard offers end-of-life HP product return, trade-in, and recycling programs in many geographic areas. For trade-in information, please go to: http://www.hp.com/go/green . To recycle your product, please go to: http://www.hp.com/go/green or contact your nearest HP sales office. Products returned to HP will be recycled, recovered or disposed of in a responsible manner. |
|---|---|--|

The EU WEEE directive (2002/95/EC) requires manufacturers to provide treatment information for each product type for use by treatment facilities. This information (product disassembly instructions) is posted on the Hewlett Packard web site at: <http://www.hp.com/go/green>. These instructions may be used by recyclers and other WEEE treatment facilities as well as HP OEM customers who integrate and re-sell HP equipment.

Technical Specifications

© Copyright 2013 Hewlett-Packard Development Company, L.P.

The information contained herein is subject to change without notice.

Microsoft and Windows NT are US registered trademarks of Microsoft Corporation.

Intel, the Intel logo, Xeon and Xeon Inside are trademarks of Intel Corporation in the U.S. and other countries.

The only warranties for HP products and services are set forth in the express warranty statements accompanying such products and services. Nothing herein should be construed as constituting an additional warranty. HP shall not be liable for technical or editorial errors or omissions contained herein.

For hard drives, 1GB = 1 billion bytes. Actual formatted capacity is less.